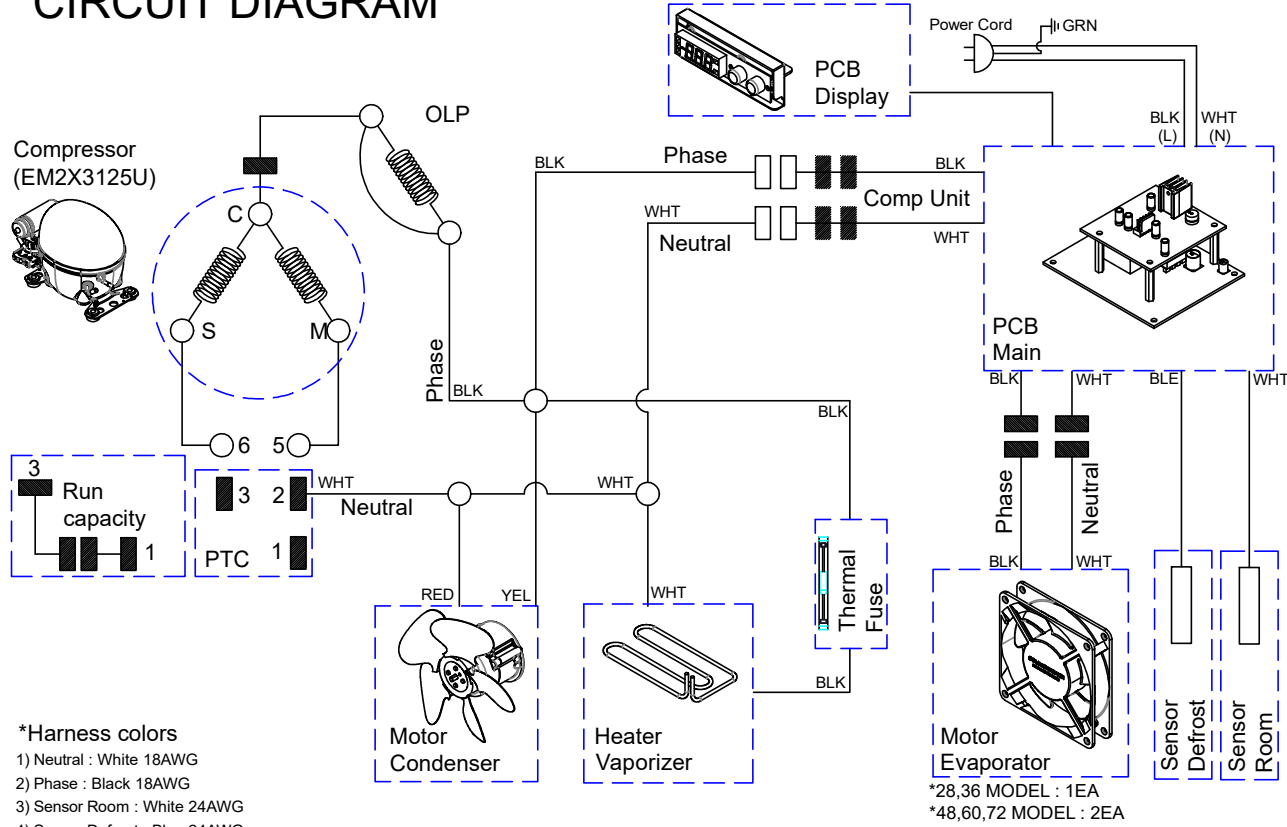


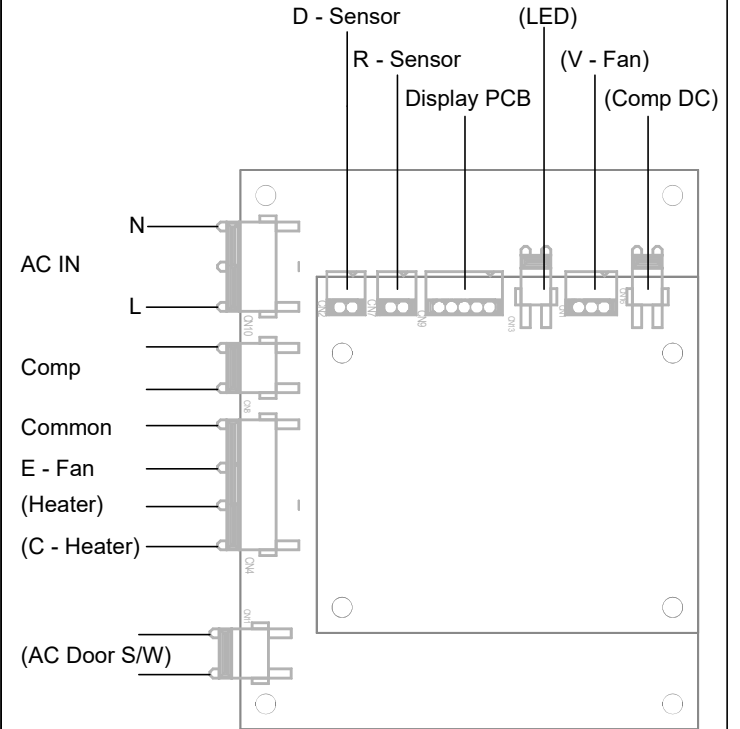
### CIRCUIT DIAGRAM



**\*Harness colors**  
 1) Neutral : White 18AWG  
 2) Phase : Black 18AWG  
 3) Sensor Room : White 24AWG  
 4) Sensor Defrost : Blue 24AWG  
 WHT - WHITE BLE - BLUE  
 BLK - BLACK GRN - GREEN  
 RED - RED YEL - YELLOW  
 (115V/60Hz)

\*28R,36R,48R,60R,72R-HC      \*28S-D2-HC,48S-D4-HC,  
 \*28S,36S,48S,60S,72S-HC      60S-D4-HC,72S-D6-HC  
 \*28M,36M,48M,60M,72M-HC      \*28M-D2-HC,48M-D4-HC,  
 \*28R-D2-HC,48R-D4-HC,      60M-D4-HC,72M-D6-HC  
 60R-D4-HC,72R-D6-HC

### PCB LAYOUT



"CODE NO"