



## EXPRESSA - OPEN DISPLAY MERCHANDISER

Expressa is a high-profile, five deck open style, self serve merchandiser that will create a visual impact as it serves to maximize your profits while displaying all types of prepared foods, deli, dairy and beverages



### STANDARD FEATURES

- ✓ Available in 3', 4', 6' & 8' lengths
- ✓ Exterior constructed entirely of brushed stainless steel
- ✓ Interior constructed of black painted polyester steel for a scratch-resistant, sanitary and easy to clean surface.
- ✓ Fluorescent tube lighting (T8 ) with electronic ballast provides better product visibility for upper canopy
- ✓ Automatic defrost
- ✓ High performance horsepower compressor
- ✓ Digital thermostatic control ensures precise storing temperature
- ✓ Bottom mount compressor with front access for service
- ✓ Full back wall oversized ventilated refrigeration coil
- ✓ Integrated air curtain for improved efficiency
- ✓ Durable one piece body 2" foamed-in-place cabinet
- ✓ Removable & adjustable shelving system with four adjustable in eight and two different shelf positions (angled or straight)
- ✓ Shelves equipped with price ticket holders with removable plexi-product stoppers
- ✓ Efficient foamed-in-place CFC-free insulation with high R factor.
- ✓ ETL Safety & Sanitation Listed

### REFRIGERATION

- ✓ Refrigerant: 134A / 404A (depending on model)
- ✓ Electric condensate evaporator (no drain req'd)
- ✓ Temperature range: 34° to 41°F
- ✓ Front air intake and rear discharge
- ✓ Self-contained, bottom mount refrigeration system
- ✓ Rear refrigeration unit for easier maintenance
- ✓ Slim-line evaporator coil for maximum interior capacity

### OPTIONAL:

Expressa can be supplied in your choice of exterior color finish to match the adjacent equipment or your interior design

#### Interior Finish Choices

Available also in a white polyester powder-coated steel

- ✓ Locking security cover
  - ✓ Extra lighting per each shelf
  - ✓ Expressa can be supplied with glass ends (Suffix G - example EXP-"X" G)
  - ✓ Expressa can be supplied as a remote case (Use Suffix R - example: EXP-"X" R)
  - ✓ Expressa can be supplied as a floral case (Use Suffix F - example: EXP-"X" F)
- \*\* contact factory for pricing

### Warranty

- ✓ One year parts and labor with four additional years compressor (part only)
- ✓ **NOTE:** Designed to operate in air-conditioned stores where ambient maximum temp is 75°F and the maximum relative humidity is 55%



<b>REFRIGERATION</b>	<b>EXP-3</b>	<b>EXP-4</b>	<b>EXP-6</b>	<b>EXP-8</b>
<b>BTU @ 20°F</b>	<b>3620</b>	<b>5220</b>	<b>9200</b>	<b>11600</b>

<b>ELECTRICAL</b>	<b>EXP-3</b>	<b>EXP-4</b>	<b>EXP-6</b>	<b>EXP-8</b>
<b>Fans 120 V</b>	<b>0.55 A</b>	<b>0.55 A</b>	<b>1.10 A</b>	<b>1.10 A</b>

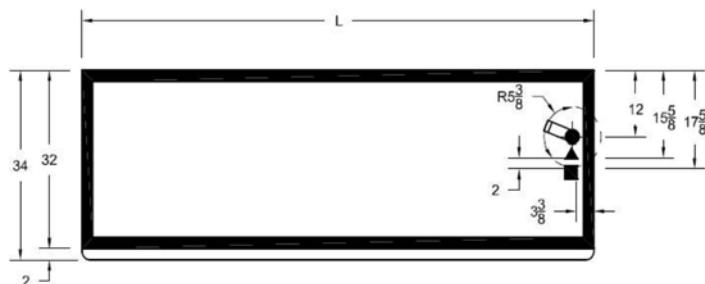
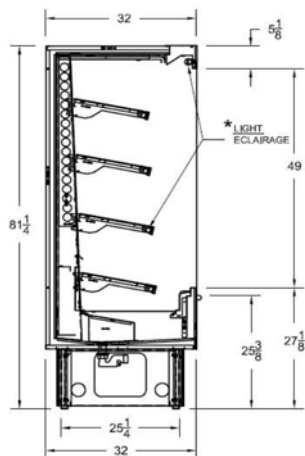
<b>Lighted Canopy 120V</b>	<b>EXP-3</b>	<b>EXP-4</b>	<b>EXP-6</b>	<b>EXP-8</b>
<b>Canopy</b>	<b>0.14A</b>	<b>0.21A</b>	<b>0.35A</b>	<b>0.48A</b>
<b>Lighted Shelves</b>	<b>0.57A</b>	<b>0.83A</b>	<b>1.13A</b>	<b>2.13A</b>

	<b>EXP-3</b>	<b>EXP-4</b>	<b>EXP-6</b>	<b>EXP-8</b>
<b>A/S Heater 120V</b>	<b>0.1A</b>	<b>0.2A</b>	<b>0.3A</b>	<b>0.3A</b>

<b>EVAP. PAN</b>	<b>EXP-3</b>	<b>EXP-4</b>	<b>EXP-6</b>	<b>EXP-8</b>
<b>120V</b>	<b>4.20A</b>	<b>8.30A</b>	<b>N/A</b>	<b>N/A</b>
<b>240V</b>	<b>N/A</b>	<b>N/A</b>	<b>4.20A</b>	<b>6.25A</b>

<b>CONDENSING UNIT</b>	<b>EXP-3</b>	<b>EXP-4</b>	<b>EXP-6</b>	<b>EXP-8</b>
<b>Compressor RLA 120V</b>	<b>8.0A</b>	<b>14.3A</b>	<b>n/a</b>	<b>n/a</b>
<b>Total Amps 120V</b>	<b>12.0A</b>	<b>20.3A</b>	<b>-</b>	<b>-</b>
<b>Connection</b>	<b>Cord</b>	<b>Junction Box</b>	<b>Junction Box</b>	<b>Junction Box</b>
<b>Breaker</b>	<b>20A</b>	<b>40 A</b>	<b>n/a</b>	<b>n/a</b>
<b>OR</b>				
<b>Compressor RLA 240V</b>	<b>-</b>	<b>7.1A</b>	<b>10.4A</b>	<b>10.4A</b>
<b>Total Amps 240/120V</b>	<b>-</b>	<b>11.3/1.8</b>	<b>14.6/2.9</b>	<b>14.6/4</b>
<b>Breaker</b>	<b>n/a</b>	<b>20 A</b>	<b>30 A</b>	<b>30 A</b>

	<b>EXP-3</b>	<b>EXP-4</b>	<b>EXP-6</b>	<b>EXP-8</b>
<b>SHIP WEIGHT</b>	<b>470</b>	<b>610</b>	<b>770</b>	<b>970</b>



**MVP GROUP CORPORATION**  
 5659 Royalmount Ave. Montreal, QC Canada H4P 2P9  
 Tel: 514-737-9701 888-275-4538 Fax: 514-342-3854  
 www.mvpgroupcorp.com / sales@mvpgroupcorp.com



Due to continuous specifications are subject to change without prior notice