



ALLEGRA - OPEN DISPLAY MERCHANDISER

Allegra is a low-profile open style self serve merchandiser which will showcase your products leading to increased profits and maximum sales. This ultra-modern display will highlight your prepared foods and beverages for increased impulse sales



STANDARD FEATURES

- ✓ T8 lighting
- ✓ Automatic defrost
- ✓ On/off power switch
- ✓ Electronic ballast kit
- ✓ Digital thermostatic control ensures precise storing temperature
- ✓ Solid bottom shelf for easy display
- ✓ Solid uniformed body construction
- ✓ Modern curved top and glass sides design
- ✓ Removable & adjustable shelving system
- ✓ 2" foamed-in-place urethane insulation
- ✓ Shelves with price ticket holders with removable plaxi product stoppers
- ✓ Open style two self merchandiser + bottom deck
- ✓ All stainless steel interior & exterior finish
- ✓ ETL Safety & Sanitation Listed

REFRIGERATION

- ✓ Refrigerant: 134A
- ✓ Electric condensate evaporator
- ✓ Temperature range: 34° to 41°F
- ✓ Front air intake and rear discharge
- ✓ Self-contained, bottom mount refrigeration system
- ✓ Rear refrigeration unit for easier maintenance
- ✓ Slim-line evaporator coil for maximum interior space

OPTIONS:

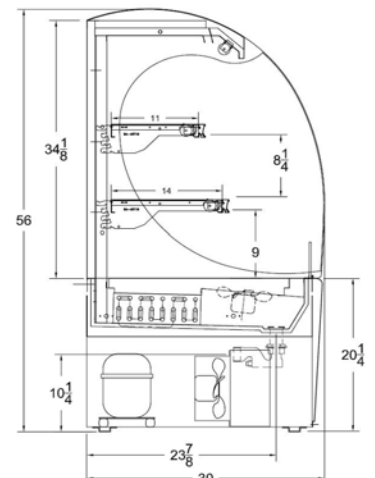
Unit can be supplied with a set of casters

Allegra can be supplied with a black steel exterior finish

SPECIFICATIONS	ALG-3	ALG-4
Overall Length	36"	48"
Total Amps 120V	12.0A	18.4A
Connection	Cord	Junc Box
Recommended Breaker	15.0A	20.0A
Unit H.P	1/3	1 / 2
Shipping Weight	365 Lbs	460 Lbs

Warranty

- ✓ One year parts and labor with four additional years compressor (part only)
- ✓ **NOTE:** Designed to operate in air-conditioned stores where ambient max. temp is 75°F and the max. relative humidity is 55%



MVP GROUP CORPORATION

5659 Royalmount Ave. Montreal, QC Canada H4P 2P9
Tel: 514-737-9701 888-275-4538 Fax: 514-342-3854
www.mvpgroupcorp.com / sales@mvpgroupcorp.com

Due to continuous specifications are subject to change without prior notice