



LUXURA - DELI & BAKERY MERCHANDISER

Luxura is a curved glass all stainless steel deluxe merchandiser providing a perfect presentation and conservation for all pastries, deli, salads, meats, and cheeses



STANDARD FEATURES

- ✓ Available in lengths of 3', 4', 6', 8' & 12'
- ✓ Front curved glass tilts forward for easy cleaning
- ✓ Tempered thermopane tilt-out front glass
- ✓ Digital thermostatic control ensures precise storing temperature
- ✓ Self contained for maximum flexibility and easy servicing
- ✓ Standard glass shelves or optional stainless steel perforated shelves
- ✓ Luxura merchandisers can be joined together for a straight continuous line up
- ✓ Gravity coil system ensuring an excellent and proper humidity - ensures longer shelf life
- ✓ Rear service doors are easily removed for cleaning and permit access to interior
- ✓ Self contained with gravity coil refrigeration insuring an excellent and perfect humidity level
- ✓ Efficient foamed-in-place CFC-free insulation with high R factor, offering strength and lower operating costs
- ✓ ETL Safety & Sanitation Listed

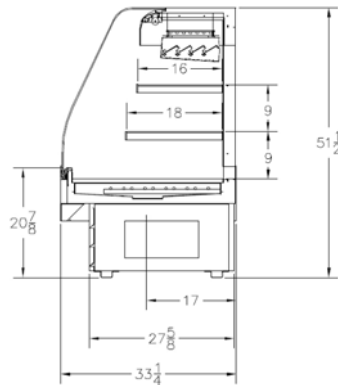
REFRIGERATION

- ✓ Refrigerant: 134A
- ✓ Electric condensate evaporator (no drain req.)
- ✓ Slide out condensing unit for ease of service
- ✓ High humidity oversized gravity coil
- ✓ Temperature range: 34° to 44°F
- ✓ Condenser air filter on self contained units
- ✓ Self-contained, bottom mount refrig. system

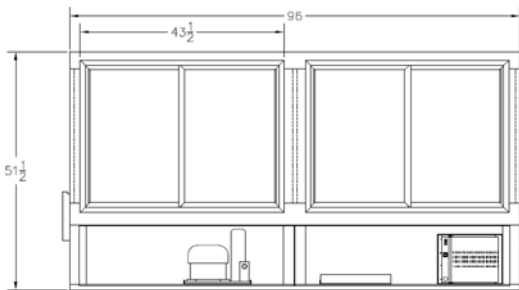
OPTIONS

- ✓ **Luxura models can be supplied as a dry case** (non-refrigerated) Use "D" a suffix - example LUX-4D
Please contact factory for quotes
- ✓ **Luxura models can be supplied as a remote case** (non-refrigerated) Use "R" a suffix - example LUX-4R
- ✓ Luxura can be supplied with various color exterior finishes to match the adjacent equipment or your interior design (Please allow a 5-6 week lead time)

SPECIFICATIONS	LUX-3	LUX-4	LUX-6	LUX-8	LUX-12
Overall Length	39"	51"	75"	99"	147"
Electrical Specs	115/1/60	115/1/60	115/1/60	115/1/60	115/1/60
Operating Temp	34° to 45°F	34° to 45°F	34° to 45°F	34° to 45°F	34° to 45°F
Defrost	Off-Time	Off-Time	Off-Time	Off-Time	Off-Time
Weight	275 Lbs	345 Lbs	510 Lbs	660 Lbs	985 Lbs
Total Amperage	6.5	6.5	12.0	14.0	14.0
Electrical Info	15 Amp. Service Cord	15 Amp. Service Cord	15 Amp. Service Cord	15 Amp. Service Cord	15 Amp. Service Cord

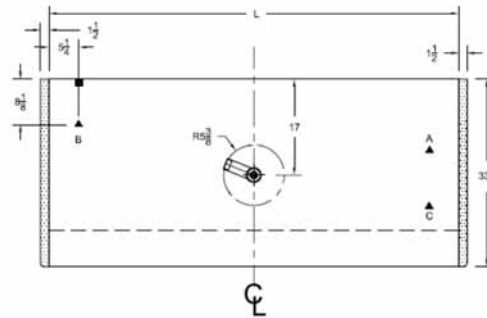


Cross-Section



LUX-8

Rear View



Top View

Warranty

✓ One year parts and labor with four additional years compressor (part only)

✓ **NOTE:** Designed to operate in air-conditioned stores where ambient maximum temp is 75°F and the maximum relative humidity is 55%

MVP GROUP CORPORATION
 5659 Royalmount Ave. Montreal, QC Canada H4P 2P9
 Tel: 514-737-9701 888-275-4538 Fax: 514-342-3854
 www.mvpgroupcorp.com / sales@mvpgroupcorp.com



Due to continuous specifications are subject to change without prior notice