



Double Door Series
 Refrigerator / Freezer
 Bottom Mount Compressor
KBSR-2 / KBSF-2



Project name:	
Location:	
Item:	Qty :
Model:	

KBSR-2 / KBSF-2

Durable Design

- Stainless steel interior & exterior
- 6 height adjustable, heavy-duty, PE coated wire shelves
- Incandescent interior lighting
- Digital temperature display
- Door locks with keys
- Simple plug-in installation
- Oversized bottom mount compressor section

Energy Efficient

- Self-closing door with stay open feature
- Seals tight with magnetic vinyl gasket
- Open door alert beeps when door is open for 5 minutes
- Foamed-in place high-density polyurethane insulated body, CFC-Free
- Large evaporator & condenser for quick cooling and greater efficiency
- Bottom mount compressor provides energy savings and ease of service

Superior Quality

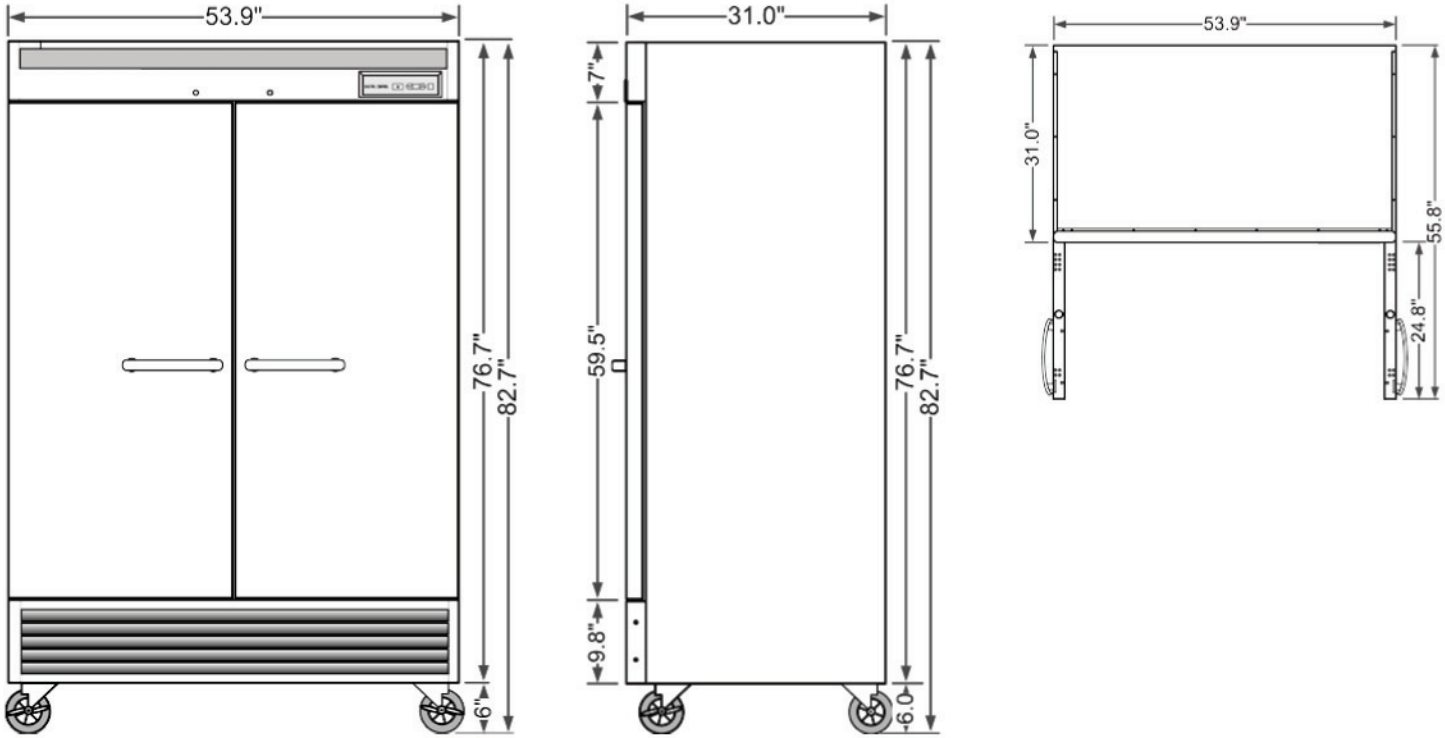
- Designed for mobility, reliability & efficiency in commercial kitchens
- 4" swivel castors with 2 front brakes
- Easy grip handle
- Entirely self-contained system
- Automatic defrost system
- Digitally controlled temperature system
- Accomodates full-size bun sheet pans
- Easily adjustable shelf height
- Internal storage capacity is 44.7 cu.ft.
- NEMA 5-15 plug
- Compressor : Refrigerator - 1/3 HP / Freezer - 3/4 HP
- Holding temperature : Refrigerator 33°F to 39°F / Freezer 5°F to -9.4°F



Tel.: 514.737.9701 / Toll Free: 888.275.4538
 Fax: 514.342.3854 / Toll Free: 877.453.8832
 sales@mvpgroupcorp.com www.mvpgroupcorp.com



KBSR-2 / KBSF-2



Model Number	Description	Interior/Exterior Material	Number of Doors	Number of Shelves	Capacity (cubic feet)	Exterior Dimensions (WxDxH in.)	Compressor Size	Voltage/Frequency	Amps	Working Temp.	Refrigerant	Ship Weight (lbs.)
KBSR-2	Bottom Mount Double Door Refrigerator	Stainless Steel	2	6	44.7	53.9 x 31.0 x 82.7	1/3	115V 60 Hz	7.0	33°F to 39°F	R134a	448
KBSF-2	Bottom Mount Double Door Freezer	Stainless Steel	2	6	44.7	53.9 x 31.0 x 82.7	3/4	115V 60 Hz	10.9	5°F to -9.4°F	R404a	481

These units are designed for maximum performance in an air-conditioned area of 75°F ambient temperature and 55% relative humidity. There must be adequate ventilation at the top, sides & rear of the unit for proper operation.

Warranty : 18 months parts & labor. Additional 42 months on compressor (part only)



KOOL-IT is a registered trade mark of MVP Group.
Specifications subject to change without notice.



Tel.: 514.737.9701 / Toll Free: 888.275.4538
 Fax: 514.342.3854 / Toll Free: 877.453.8832
 sales@mvpgroupcorp.com www.mvpgroupcorp.com