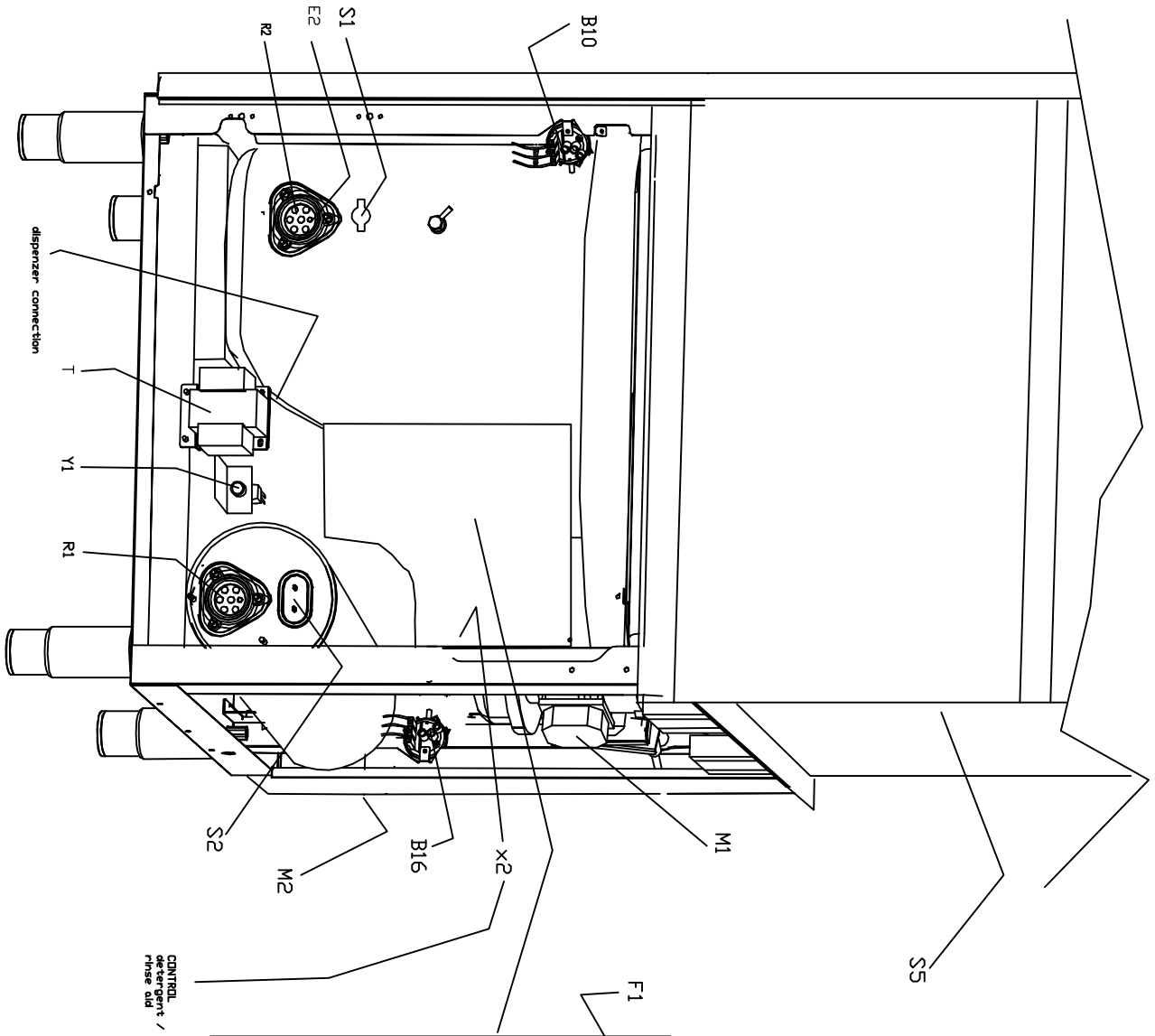


DESCRIZIONE

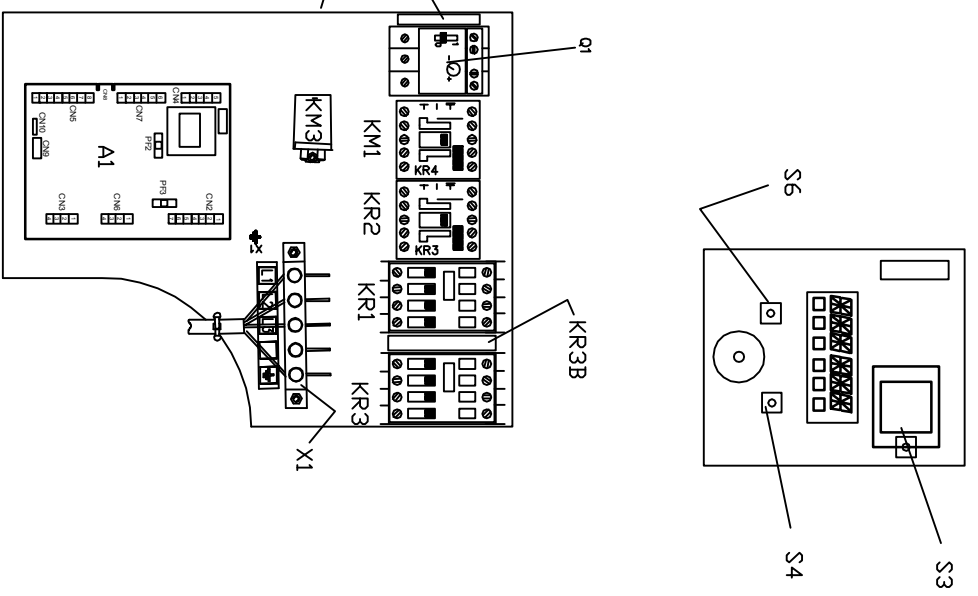
SOSTITUISCERE

DATA

| | | | | | |
|--------------|----------|----------------|----------|--------------|----------|
| Code Machine | | WIRING DIAGRAM | | Codice | |
| re-examined | date | re-examined | date | re-examined | date |
| 21/12/06 | | 21/12/06 | | 21/12/06 | |
| inspected by | approved | inspected by | approved | inspected by | approved |
| | | | | | |
| validated by | date | validated by | date | validated by | date |
| | | | | | |
| denomination | | denomination | | denomination | |
| Dishwashers | | Dishwashers | | Dishwashers | |
| total BIC | N° BIC | total BIC | N° BIC | total BIC | N° BIC |
| 3 | 2 | 3 | 2 | 3 | 2 |
| n°/file | | n°/file | | n°/file | |
| 82119 | | 82119 | | 82119 | |
| mod | | mod | | mod | |
| | | | | | |



CONTROL
de detergent /
phase old



DESCRIZIONE

SOSTITUISC

DATA

| | | | | | |
|--------------|-----------|----------------|--------|----------|-----|
| Code Machine | | denomination | | Codice | |
| re-examined | date/date | WIRING DIAGRAM | | n°/file | mod |
| 15/02/05 | date/date | Dishwashers | | 82119L | - |
| inspected by | date/date | total BGT | n° BGT | Next BGT | |
| | | 3 | 2 | -3 | |
| validated by | date/date | | | | |

