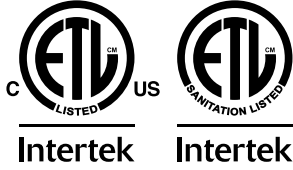




PROJECT \_\_\_\_\_  
 ITEM # \_\_\_\_\_  
 QUANTITY \_\_\_\_\_



**SEAMLESS INNER TANK**  
 Corrosion resistant • easy cleaning round edge • hygienic design & construction



**AX-GPC-1**

**AX-GPC-2**

\* Optional baskets shown. Baskets 116-0090 included.

**Our pasta cookers are among the industry's most reliable and trusted equipment with highly efficient burners and a variety of basket configurations. They can be used to cook fresh or dry pasta or just to rethermalize.**

**GAS PASTA COOKER - STANDARD FEATURES**

- ★ All heavy-duty stainless steel construction
- ★ One piece deep drawn inner tank for ease of maintenance
- ★ Inner tank of AISI 316 stainless steel is corrosion-resistant from the effects of salt water
- ★ Piezo-electric burner ignition
- ★ Safety thermocouple shutoff
- ★ Individual controls for gas, water & drain on double tank unit
- ★ Easy access manual water fill control on front panel
- ★ Starch skimming drain
- ★ Overflow area safeguards against accidental overflow
- ★ High efficiency burner technology shortens cook times by concentrating greater heat at the rear, creating a convective flow of water, eliminating the need for stirring
- ★ Stainless steel mesh baskets with ergonomic positioned handles (6 per tank)
- ★ Front drain tray
- ★ 1" full port drain valve
- ★ 6" adjustable stainless steel legs
- ★ Propane gas converter kit

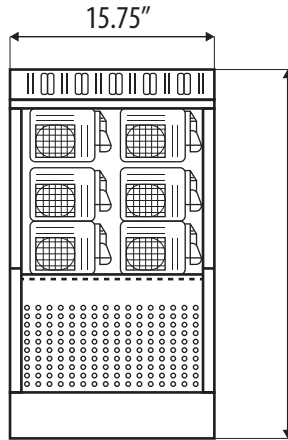
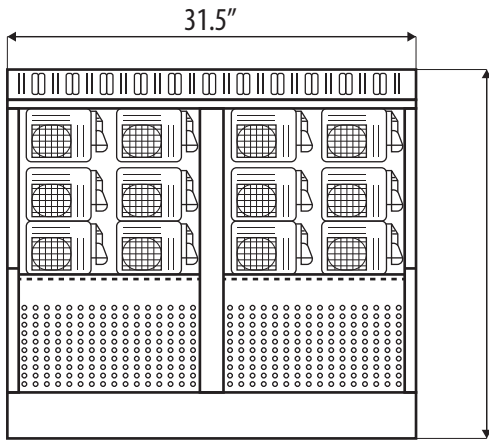
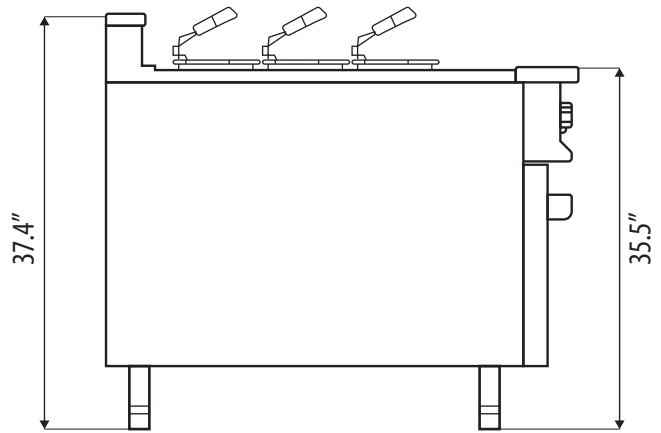
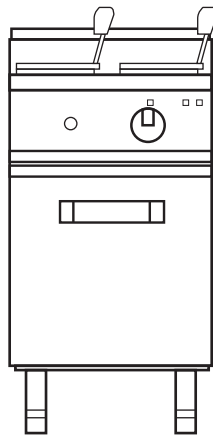
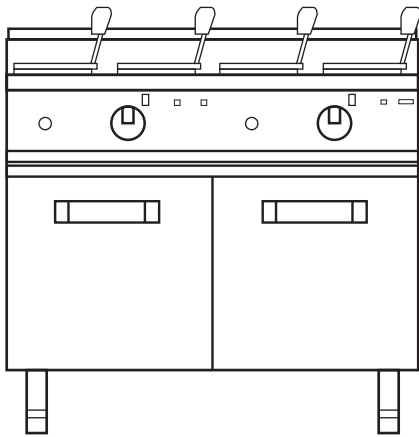
**AXIS SINGLE & DOUBLE GAS PASTA COOKER**



Tel.: 514.737.9701 / Toll Free: 888.275.4538  
 Fax: 514.342.3854 / Toll Free: 877.453.8832  
 sales@mvpgroupcorp.com • www.mvpgroupcorp.com



# TECHNICAL DRAWINGS

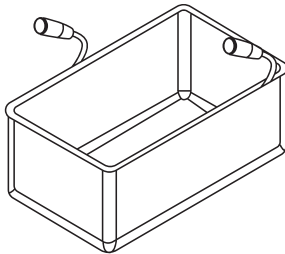


## OPTIONAL ACCESSORIES (both models)

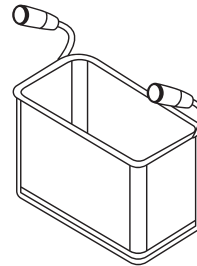
- ★ Assorted baskets
- ★ Tank cover(s)
- ★ Drain water tempering kit
- ★ Casters
- ★ Pressure regulator

### AVAILABLE BASKETS:

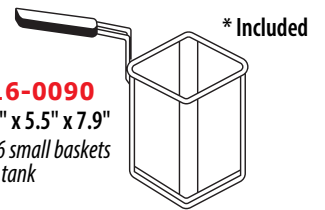
**116-0010**  
11.4" x 19.3" x 7.9"  
Fit 1 large basket  
per tank



**116-0040**  
11.4" x 6.3" x 7.9"  
Fit 3 medium baskets  
per tank



**116-0090**  
5.5" x 5.5" x 7.9"  
Fit 6 small baskets  
per tank



## SPECIFICATIONS

	WATER CAPACITY	GAS OUTPUT	GAS CONNECTION	WATER CONNECTION	DRAIN CONNECTION	GAS PRESSURE**	DIMENSIONS (W x D x H)	NET WEIGHT
<b>AX-GPC-1</b>	10.56 GAL (40 L)	45,000 Btu/hr	1/2" Male NPT	1/2" Male NPT	1" Male NPT	4" W.C. Natural Gas 10" W.C. Propane	15.75" x 37.4" x 37.4"	165 LBS
<b>AX-GPC-2</b>	10.56 + 10.56 GAL (40 + 40 L)	90,000 Btu/hr	1/2" Male NPT	1/2" Male NPT	1" Male NPT	4" W.C. Natural Gas 10" W.C. Propane	31.5" x 37.4" x 37.4"	286 LBS

**WARRANTY:** 12 MONTHS PARTS & LABOR

AXIS is a registered trademark of MVP Group.

Due to continuing product development, to ensure best possible performance, the specifications are subject to change without prior notice.

\*\* Specify type of gas and altitude, if over 2000 feet, when ordering



Tel.: 514.737.9701 / Toll Free: 888.275.4538  
 Fax: 514.342.3854 / Toll Free: 877.453.8832  
 sales@mvpgroupcorp.com • www.mvpgroupcorp.com