



MODELS

KBD-CG-(40, 50, 60, 80)-S
KBD-CG-(40, 50, 60, 80)-R
KBD-CG-(40, 50, 60, 80)-D

CURVED GLASS BAKERY
DELI CASE

Case holds 39°F to 41°F • Forced air refrigeration • Tempered tilt-out curved front glass • Tempered side glass and rear sliding doors
• LED lighting in canopy and under all shelves
• Cases can be multiplexed



SELF CONTAINED	Model	O.A. Length Inches	Volume FT ³	Electrical - 115 volts						NEMA 115V Plug	Weight LBS.		Crate Size		
				Compressor			Lights Fans HTRS	Evap Pan	Total Amps		No Crate	With Crate	L	W	H
				H.P.	F.L.A.	L.R.A.									
				Front											
	KBD-CG-40-S	40-3/8	13.28	3/8	8.4	43	1.3	3.3	13.0	5-15P	375	514	43-3/8	34-1/2	62-1/4
	KBD-CG-50-S	52-1/8	17.50	1/2	9.6	49	1.5	3.3	14.4	5-20P	436	604	55-1/8	34-1/2	62-1/4
	KBD-CG-60-S	60	20.31	1/2	9.6	49	1.6	3.3	14.5	5-20P	478	666	63	34-1/2	62-1/4
	KBD-CG-80-S	77-1/2	26.56	1/2	9.6	49	2.7	3.3	15.6	5-20P	557	787	80-1/2	34-1/2	62-1/4

REMOTE	Model	O.A. Length Inches	115 Volts Total Amps	B.T.U.	Weight LBS.	
					No Crate	With Crate
					KBD-CG-40-R	40-3/8
KBD-CG-50-R	52-1/8	1.06	3110	381	549	
KBD-CG-60-R	60	1.10	3268	423	611	
KBD-CG-80-R	77-1/2	2.20	3987	502	732	

NON-REFRIGERATED	Model	O.A. Length Inches	115 Volts Total Amps	NEMA 115V Plug	Weight LBS.	
					No Crate	With Crate
					KBD-CG-40-D	40-3/8
KBD-CG-50-D	52-1/8	0.33	5-15P	381	549	
KBD-CG-60-D	60	0.41	5-15P	423	611	
KBD-CG-80-D	77-1/2	0.46	5-15P	502	732	

STANDARD FEATURES

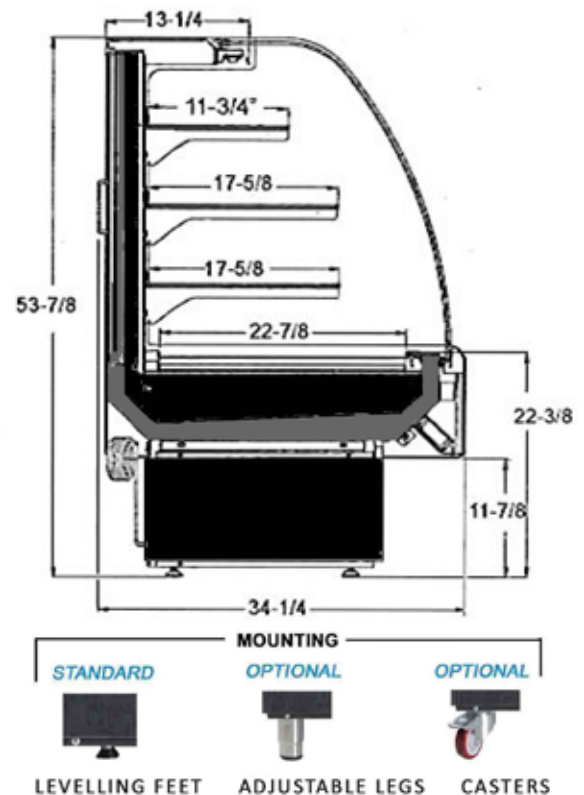
- Insulation-CFC free injected foam
- Interior-PVC coated steel gray
- Exterior-PVC coated steel silver
- Foamed polystyrene black end panels
- Height adjustable, tempered glass shelves can be tilted
- Temperature and defrost regulated by a digital controller
- Removable condensate evaporating pan for easy cleaning on self-contained units
- Anti-condensate system for front glass
- Cord and plug on self-contained and dry units
- Levelling feet

OPTIONAL FEATURES

- Stainless steel exterior
- Stainless steel interior
- Other colors available
- Additional shelves
- Scale stand with 120 V receptacle
- Condensate evaporative pan for remote cases
- Casters-add 4-3/8" to height
- Stainless steel legs are adjustable from 5-1/8" to 7-5/8"

WARRANTY

One year parts and labor with an additional four years on the compressor (part only)



NOTE

These cases are engineered to operate in locations not exceeding 75°F and 55% R.H. These cases are designed to operate using R404a refrigerant. Alternate refrigerants available by special order. O.A. length includes (2) ends at 1-1/2" each. Ventilation grills at front and back cannot be blocked. B.T.U.'s are calculated at 14°F (evaporator) and 90°F (ambient). Remote cases are provided with an expansion valve and a liquid solenoid for pump down cycle. On remote cases, if no floor drain is provided, a condensate evaporating pan must be ordered and 3.3 amps added to the amp load. Remote cases must be hard wired.

USA Tel: 786.600.4687 / Toll Free: 844.218.8477
Fax: 786.661.4100

Canada Tel: 514.737.9701 / Toll Free: 888.275.4538
Fax: 514.342.3854 / Toll Free: 877.453.8832

sales@mvpgroupcorp.com / mvpgroupcorp.com