



MODELS

KFM-GL-(40, 60, 80)-S

CURVED GLASS GELATO CASE

Low temperature • Forced air refrigeration • Lift up tempered front glass
10, 16, and 22 pan configurations • Cases can be multiplexed



SELF-CONTAINED	Model	O.A. Length Inches	Electrical-115 volts					Defrost Amps	Weight LBS.
			Case Temp	F.L.A	L.R.A.	Lights and Fans	Total Amps		
	KFM-GL-40-S	40-3/8	-4/-7F	10.0	67	0.26	10.3	22.9	661
	KFM-GL-60-S	58-1/8	-4/-7F	(2) 10.0	(2) 67	0.49	20.5	26.4	860
	KFM-GL-80-S	77-7/8	-4/-7F	(2) 10.0	(2) 67	0.53	20.5	26.4	992

STANDARD FEATURES

- Insulation-CFC free polyurethane foam
- Stainless steel interior
- Silver colored PVC coated steel front panel with black steel kick plate
- Foamed polystyrene black end panels
- All trim and glass supports-aluminum
- Stainless steel pans
- Lift up tempered front glass
- Thermopane end glass
- Stainless steel work bench
- Removable rear tempered glass sliding doors
- Temperature and defrost regulated by a digital controller
- Leveling feet

OPTIONAL FEATURES

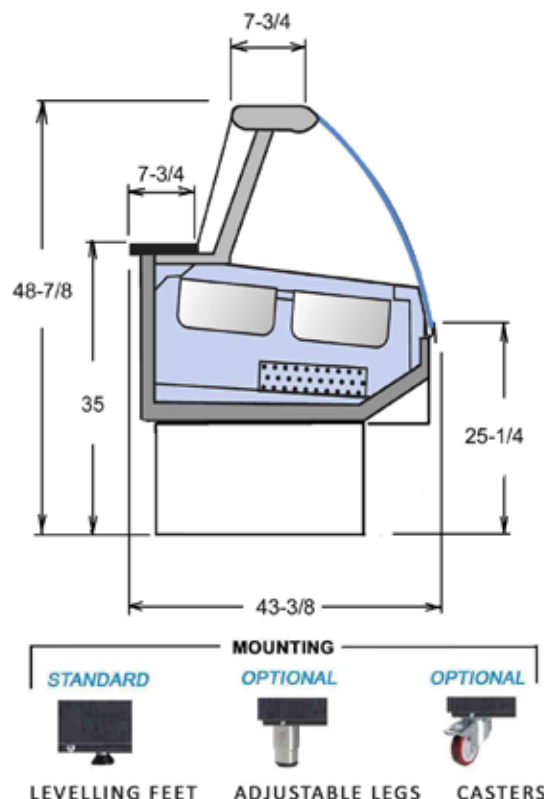
- Stainless steel exterior
- Other colors available

PAN CONFIGURATIONS

- (10) pans 14-1/8" long x 6-1/2" wide x 6" deep KFM-GL-40-S
- (16) pans 14-1/8" long x 6-1/2" wide x 6" deep KFM-GL-60-S
- (22) pans 14-1/8" long x 6-1/2" wide x 6" deep KFM-GL-80-S

WARRANTY

One year parts and labor with an additional four years on the compressor (part only)



NOTE

These cases are engineered to operate in locations not exceeding 75°F and 55% R.H. These cases are designed to operate using R404a refrigerant. O.A. length includes (2) ends at 1-1/2" each. Ventilation grills at front and back cannot be blocked.