



MODELS

KGH-OF-(30, 40, 50, 60, 80, 100)-S
KGH-OF-(30, 40, 50, 60, 80, 100)-R

GRAB-N-GO HIGH
PROFILE CASE

Case holds 36°F to 40°F • Forced air refrigeration • Open front • Front loading
• LED lighting in canopy and under all shelves • Pull down night curtain
• Cases can be multiplexed



SELF CONTAINED	Model	O.A. Length Inches	Volume FT ³	ELECTRICAL									Weight LBS.		Crate Size		
				H.P.	Compressor				Lights Fans	Evap Pan	Total Amps		No Crate	With Crate	"L"	"W"	"H"
					115 VOLTS		230 VOLTS				115	230					
					F.L.A.	L.R.A.	F.L.A.	L.R.A.			VOLTS	VOLTS					
KGH-OF-30-S	29-1/8	15.9	3/4	16.0	64	--	--	1.40	3.3	20.7	--	408	542	32-1/8	32-1/2	85-3/8	
KGH-OF-40-S	41	23.3	1	16.2	83	--	--	1.80	8.3	26.3	--	463	633	44	32-1/2	85-3/8	
KGH-OF-50-S	50-1/8	29.1	1	16.2	83	--	--	2.40	8.3	27.0	--	514	728	53-1/8	32-1/2	85-3/8	
KGH-OF-60-S	60-5/8	35.6	1-1/4	--	--	9.2	51	2.46	8.3	10.8	9.2	580	818	63-5/8	32-1/2	85-3/8	
KGH-OF-80-S	78-1/8	46.6	(2) 1	--	--	(2) 8.2	(2) 43	2.91	8.3	11.2	16.4	752	1049	81-1/8	32-1/2	85-3/8	
KGH-OF-100-S	96-5/8	58.2	(2) 1	--	--	(2) 8.2	(2) 43	4.80	8.3	21.6	16.4	939	1285	99-5/8	32-1/2	85-3/8	

NON-REFRIGERATED	Model	O.A. Length Inches	115 Volts Total Amps	B.T.U.	Weight LBS.	
					No Crate	With Crate
					KGH-OF-30-R	29-1/8
KGH-OF-40-R	41	0.90	6940	353	523	
KGH-OF-50-R	50-1/8	1.30	7565	404	617	
KGH-OF-60-R	60-5/8	1.36	9383	463	701	
KGH-OF-80-R	78-1/8	1.81	13881	562	860	
KGH-OF-100-R	96-5/8	2.60	14921	697	1043	

STANDARD FEATURES

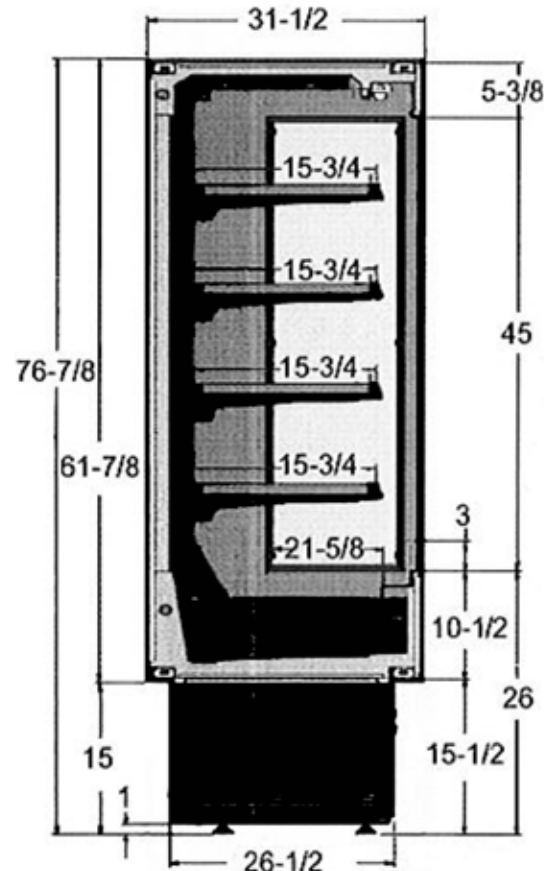
- Insulation-CFC free injected foam
- Interior-PVC coated steel gray
- Silver colored PVC coated steel front panel with black steel kick plate
- Foamed polystyrene black end panels
- Height adjustable shelves can be tilted
- Product stops on all shelves
- Temperature and defrost regulated by a digital controller
- Slide out condensing unit on self-contained units
- Removable condensate evaporative pan for easy cleaning on S/C only
- Levelling feet

OPTIONAL FEATURES

- Stainless steel exterior
- Stainless steel interior
- Other colors available
- Solid or full view end panels
- Additional shelves
- Price tag molding
- Condensate evaporative pan for remote cases
- Casters-add 4-3/8" to height
- Stainless steel legs are adjustable from 5-1/8" to 7-5/8"

WARRANTY

One year parts and labor with an additional four years on the compressor (part only)



NOTE

These cases are engineered to operate in locations not exceeding 75°F and 55% R.H. These cases are designed to operate using R404a refrigerant. Alternate refrigerants available by special order. O.A. length includes (2) ends at 1-7/8" each. Ventilation grills at front and back cannot be blocked. B.T.U.'s are calculated at 14°F (evaporator) and 90°F (ambient). Remote cases are provided with an expansion valve and a liquid solenoid for pump down cycle. On remote cases, if no floor drain is provided, a condensate evaporating pan must be ordered and 3.3 or 8.3 amps added to the amp load. Self-contained and remote cases must be hard wired - no plugs.

Tel: 786.600.4687 / Toll Free: 844.218.8477
Fax: 786.661.4100

Tel: 514.737.9701 / Toll Free: 888.275.4538
Fax: 514.342.3854 / Toll Free: 877.453.8832

sales@mvpgroupcorp.com / mvpgroupcorp.com