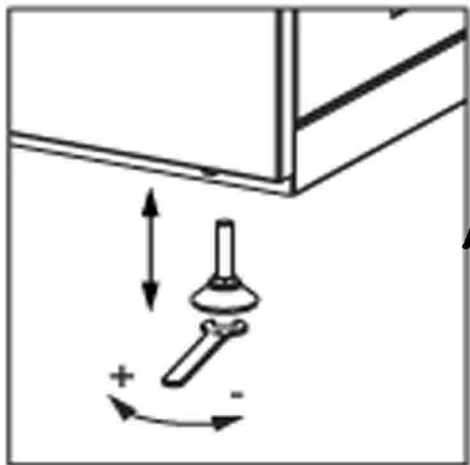
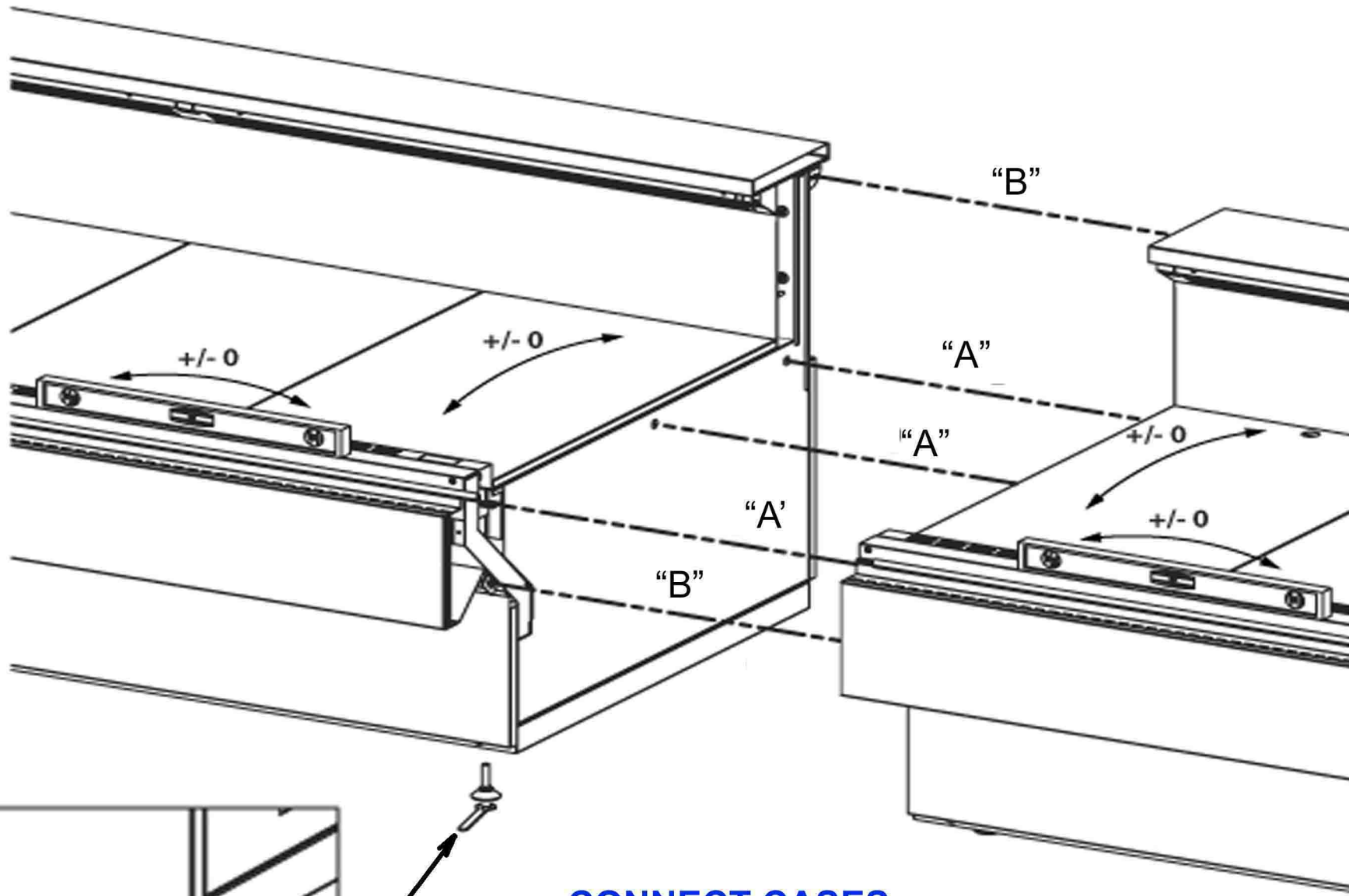


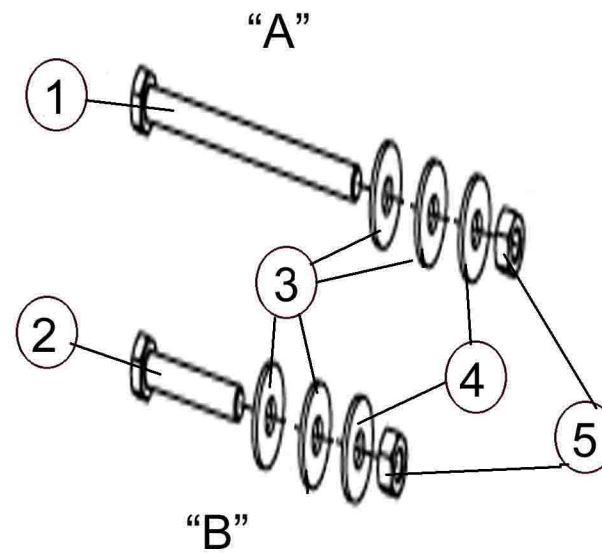
KT003B

CASE TO CASE JOINING KIT



ADJUSTABLE FEET
TURN ADJUSTABLE FEET UNTIL BOTH CASES ARE ALIGNED

CONNECT CASES
IF THE CASES ARE FROM INVENTORY REMOVE THE ENDS FIRST OTHERWISE USING THE HARDWARE PROVIDED ATTACH THE CASES TOGETHER THROUGH THE EXISTING HOLES IN THE CASES AS SHOWN ABOVE



CASES USED ON

**ALL KFM/KPM
OPEN
GRAB-N-GO**



NUMBER	DESCRIPTION	QTY
1	LONG BOLT	3
2	SHORT BOLT	2
3	FLAT WASHER	10
4	LOCK WASHER	5
5	NUT	5