



PROJECT NAME: _____

LOCATION: _____

ITEM: _____ QTY: _____

MODEL: _____

SRCM SERIES CHEESEMELTERS

Sierra's SRCM Series is a gas powered Cheese Melter that is built with Sierra quality and power in mind. It has a fully stainless exterior that will keep its shine for years. The interior is aluminized steel and the unit comes with a nickel plated shelf that has three adjustable positions. The SRCM also has a full width removable drip pan to make clean-ups easier.



SRCM-36

The included wall mount brackets allow positioning the cheese melter on a wall for easy access and to save counter space.



*4" stainless steel counter-top legs or range mount kit are optional.

STANDARD FEATURES

- Wall mounted brackets included for easy wall mounting
- Rapid Fire ceramic infrared tile burners
- Each burner is individually controlled
- Three adjustable rack positions
- Fully stainless steel exterior
- Ignition by standing pilot
- Drip pan is easily removed for cleaning
- The SRCM is shipped from the factory, ready for natural gas installation. An LP conversion kit is included with each unit

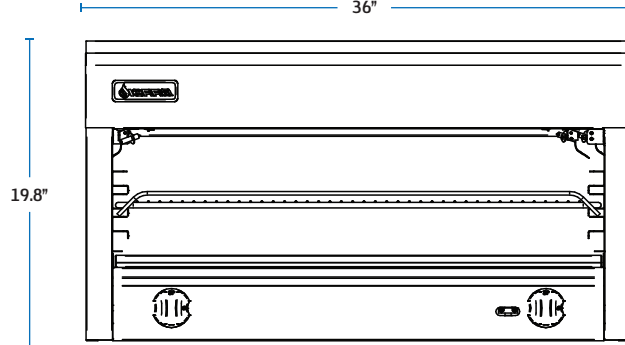
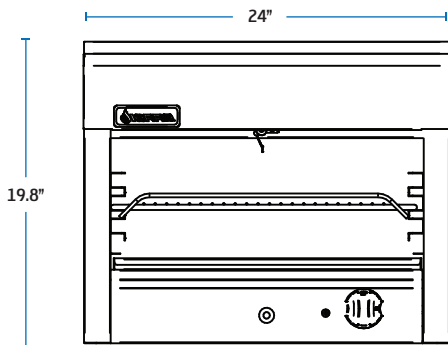
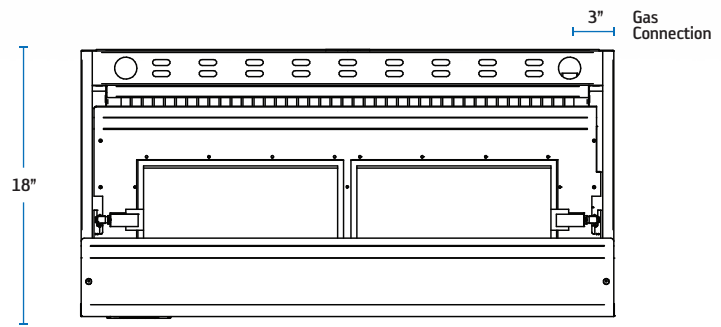
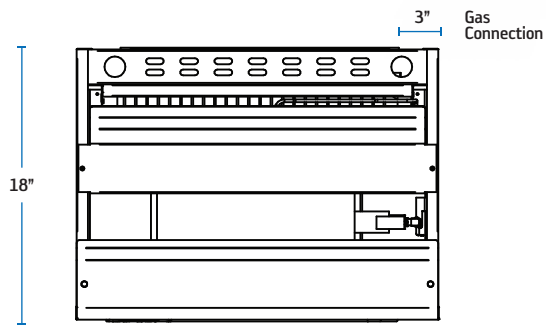
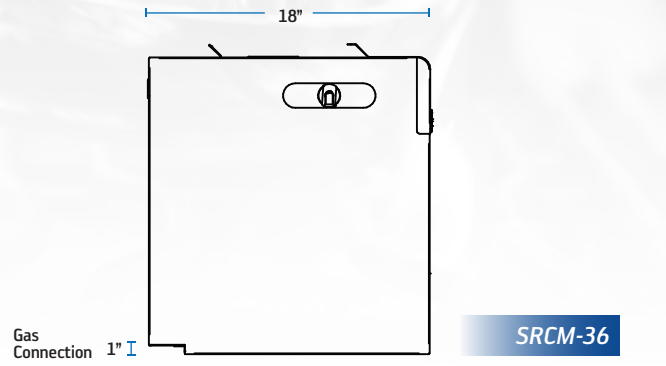
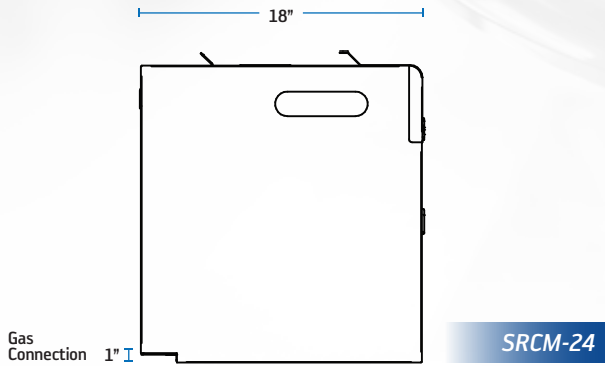


Tel.: 786.600.4687 / Toll Free: 844.218.8477
Fax: 786.661.4100



Tel.: 514.737.9701 / Toll Free: 888.275.4538
Fax: 514.342.3854 / Toll Free: 877.453.8832
sales@mvpgroupcorp.com





SPECIFICATIONS

MODEL NUMBER	EXTERNAL DIMENSIONS (WxDxH)	NUMBER OF BURNERS	BTU'S PER BURNER	TOTAL BTU	NET WEIGHT	SHIPPING WEIGHT
SRCM-24	24" X 18" X 19.8"	1	20,000	20,000	95 LBS	105 LBS
SRCM-36	36" X 18" X 19.8"	2	20,000	40,000	150 LBS	160 LBS

Warranty: 12 months parts & labor.

Gas Connection: 3/4" NPT on the right hand rear of the appliance. The pressure regulator (supplied) is to be connected here by the installer.

Gas pressure: 5" W.C. - Natural Gas | 10" W.C. - Propane

Combustible Clearances: For use in non-combustible locations | Non-combustible Clearances: 0 inches sides, 0 inches rear
Specify type of gas and altitude, if over 2,000 feet, when ordering.

SIERRA RANGE is a registered trademark of **MVP Group**.

Due to continuing product development, to ensure best possible performance, the specifications are subject to change without prior notice.

