



PROJECT NAME: _____

LOCATION: _____

ITEM: _____ QTY: _____

MODEL: _____

SRHP SERIES COUNTERTOP HOT PLATES

With its all-stainless steel construction, the SRHP Series has a powerful capacity of 30,000 BTU per burner. The hotplates feature a modern look and design, form and function fit for the most demanding kitchens at an affordable price. All with the ease of modular customization.



SRHP-6-36

*Stainless steel stand with adjustable legs is optional

STANDARD FEATURES

- 🔥 All non-ferrous stainless steel construction: interior, exterior, front, sides, landing ledge and valve controls
- 🔥 Heavy gauge welded front frame
- 🔥 Heavy duty 12" x 12" cast iron top grates, removable for easy cleaning, industry standard size
- 🔥 Compact design for counter top use
- 🔥 Removable Crumb tray for quick and easy cleaning
- 🔥 One stainless steel non-clog standing pilot for each burner for instant ignition
- 🔥 Pilot shield protects pilot from spills and grease
- 🔥 Lift-off top piece cast iron burners rated at 30,000 BTU/Hr. each one
- 🔥 Sanitary, fully ergonomic edges
- 🔥 Features a full 6" landing edge for increased plate stability
- 🔥 4" S/S adjustable legs and 1" levelling feet included
- 🔥 The SRHP is shipped from the factory, ready for natural gas installation. An LP conversion kit is included with each unit



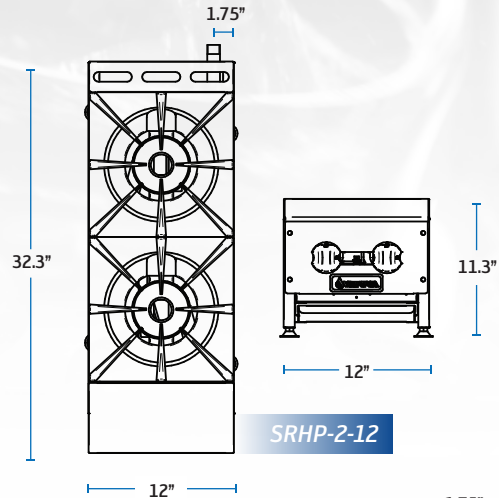
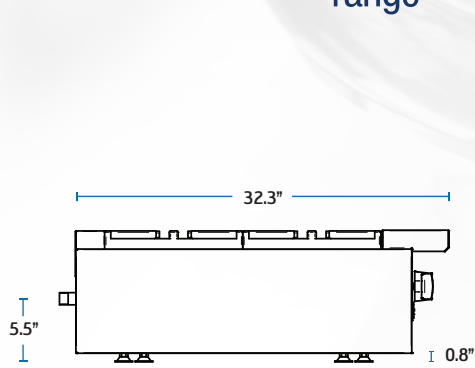
Tel.: 786.600.4687 / Toll Free: 844.218.8477
Fax: 786.661.4100



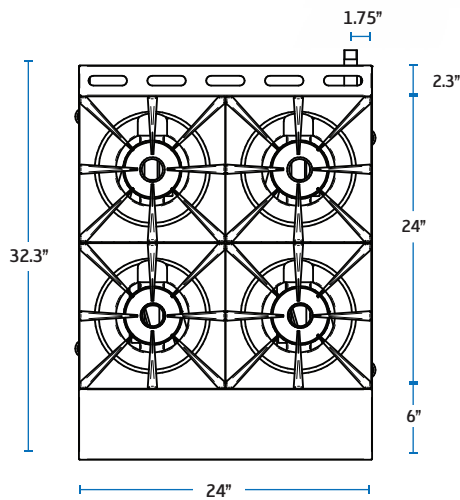
Tel.: 514.737.9701 / Toll Free: 888.275.4538
Fax: 514.342.3854 / Toll Free: 877.453.8832
sales@mvpgroupcorp.com



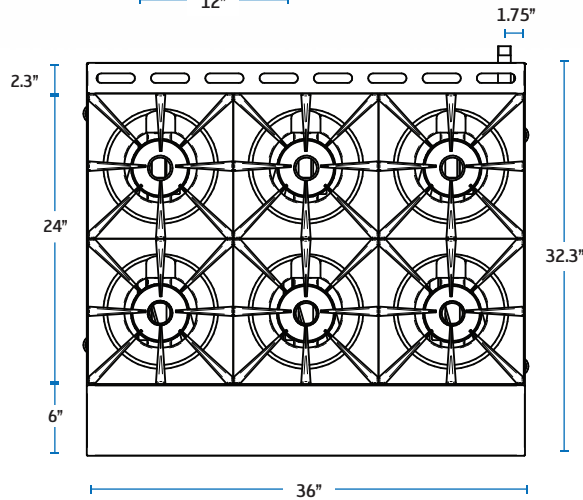
www.mvpgroupcorp.com



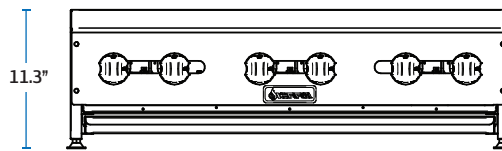
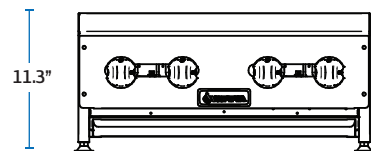
SRHP-2-12



SRHP-4-24



SRHP-6-36



SPECIFICATIONS

MODEL NUMBER	EXTERNAL DIMENSIONS (WxDxH)	NUMBER OF BURNERS	BTU'S PER BURNER	TOTAL BTU	NET WEIGHT	SHIPPING WEIGHT
SRHP-2-12	12" X 32.3" X 11.3"	2	30,000	60,000	69 LBS	93 LBS
SRHP-4-24	24" X 32.3" X 11.3"	4	30,000	120,000	121 LBS	152 LBS
SRHP-6-36	36" X 32.3" X 11.3"	6	30,000	180,000	170 LBS	214 LBS

Warranty: 12 months parts & labor.

Gas Connection: 3/4" NPT on the right hand rear of the appliance. The pressure regulator (supplied) is to be connected here by the installer.

Gas pressure: 5" W.C. - Natural Gas | 10" W.C. - Propane

Combustible Clearances: For use in non-combustible locations | Non-combustible Clearances: 0 inches sides, 0 inches rear
Specify type of gas and altitude, if over 2,000 feet, when ordering.

SIERRA RANGE is a registered trademark of **MVP Group**.

Due to continuing product development, to ensure best possible performance, the specifications are subject to change without prior notice.

