



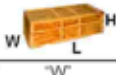
## MODELS

KFM-SO-(40, 50, 60, 80, 100, 120)-S  
KFM-SO-(40, 50, 60, 80, 100, 120)-R

OPEN FRONT SEAFOOD CASE  
WITH ICE PANS

Case holds 33°F to 40°F · Low velocity forced air refrigeration maintains high humidity · Tempered front & side glass · Cases can be multiplexed  
· Cases require floor drains



SELF CONTAINED	Model	O.A. Length Inches	Volume FT <sup>3</sup>	Electrical - 115 volts					NEMA 115V Plug	Weight LBS.		Crate Size		
				Compressor			Lights, Fans,	Total Amps		No Crate	With Crate			
				H.P.	F.L.A.	L.R.A.						"L"	"W"	"H"
	KFM-SO-40-S	40-3/8	6.07	3/8	8.4	43	0.65	9.05	5-15P	284	445	48	44	42
	KFM-SO-50-S	52-1/8	8.00	1/2	9.6	49	0.65	10.25	5-15P	322	505	59	44	42
	KFM-SO-60-S	60	9.29	1/2	9.6	49	0.75	10.35	5-15P	366	564	67	44	42
	KFM-SO-80-S	77-1/2	12.15	5/8	8.9	47	1.20	10.10	5-15P	452	714	85	44	42
	KFM-SO-100-S	101-1/8	16.00	3/4	16	64	1.30	17.30	N/A	567	844	109	44	42
	KFM-SO-120-S	117	18.58	3/4	16	64	1.40	17.40	N/A	681	1053	124	44	42

REMOTE	Model	O.A. Length Inches	115 Volts Total Amps	B.T.U.	Weight	
					No Crate	With Crate
	KFM-SO-40-R	40-3/8	0.2	2548	229	390
	KFM-SO-50-R	52-1/8	0.2	3015	267	450
	KFM-SO-60-R	60	0.3	3159	311	509
	KFM-SO-80-R	77-1/2	0.3	4345	419	681
	KFM-SO-100-R	101-1/8	0.4	5112	511	789
	KFM-SO-120-R	117	0.5	5472	615	988

### STANDARD FEATURES

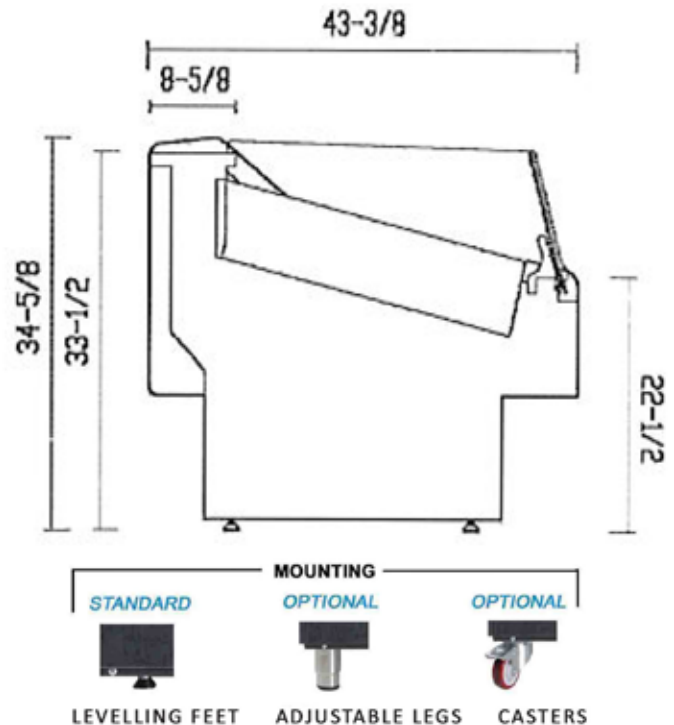
- Insulation-CFC free injected foam
- Stainless steel interior
- Silver colored PVC coated steel front panel with black steel kick plate
- Foamed polystyrene black end panels
- Temperature and defrost regulated by a digital controller
- Slide out condensing unit on S/C only
- Digital thermometer
- Levelling feet

### OPTIONAL FEATURES

- Stainless steel exterior
- Other colors available
- Scale stand with receptacle
- Casters-add 4-3/8" to height
- Cutting board
- Knife support
- Stainless steel legs are adjustable from 5-1/8" to 7-5/8"


### WARRANTY


One year parts and labor with an additional four years on the compressor (part only)



### NOTE

These cases are engineered to operate in locations not exceeding 75°F and 55% R.H. These cases are designed to operate using R404a refrigerant. Alternate refrigerants available by special order. O.A. length includes (2) ends at 1-1/2" each. Ventilation grills at front and back cannot be blocked. B.T.U.'s are calculated at 14°F (evaporator) and 90°F (ambient). Remote cases are provided with an expansion valve and a liquid solenoid for pump down cycle. Remote cases must be hard wired – no plugs.

 Tel: 786.600.4687 / Toll Free: 844.218.8477  
Fax: 786.661.4100

 Tel: 514.737.9701 / Toll Free: 888.275.4538  
Fax: 514.342.3854 / Toll Free: 877.453.8832

sales@mvpgroupcorp.com / mvpgroupcorp.com

