




## MODELS

KPM-FG-(40, 50, 60, 80, 100, 120)-S  
KPM-FG-(40, 50, 60, 80, 100, 120)-R

FLAT GLASS DELI CASE  
DESIGNED FOR DELI PRODUCTS  
AND PACKAGED MEAT

Case holds 33°F to 40°F • Forced air refrigeration • Tempered tilt-out flat front glass • Tempered side glass and rear sliding doors • Refrigerated rear storage  
• Cases can be multiplexed



SELF CONTAINED	Model	O.A. Length Inches	Volume FT <sup>3</sup>		Electrical - 115 volts						NEMA 115V Plug	Weight LBS.		Crate Size		
					Compressor			Lights Fans HTRS	Evap Pan	Total Amps		No Crate	With Crate			
			Front	Rear	H.P.	F.L.A.	L.R.A.				"L"			"W"	"H"	
			KPM-FG-60-S	60	23.47	5.33	1/2	9.6	49	1.42	3.3	14.35	5-20P	494	716	67
KPM-FG-80-S	77-1/2	30.70	8.76	1/2	9.6	49	1.59	3.3	14.52	5-20P	606	866	85	44	42	
KPM-FG-100-S	101-1/8	40.45	13.41	5/8	8.9	47	1.80	3.3	14.23	5-20P	714	1032	108	44	42	

REMOTE	Model	O.A. Length Inches	No of Rear Doors	115 Volts Total Amps	B.T.U.	Weight LBS.						
						No Crate	With Crate					
						KPM-FG-60-R	60	1	0.97	2959	438	661
						KPM-FG-80-R	77 1/2	2	1.14	3253	550	813
KPM-FG-100-R	101-1/8	3	0.91	4372	695	1014						

### STANDARD FEATURES

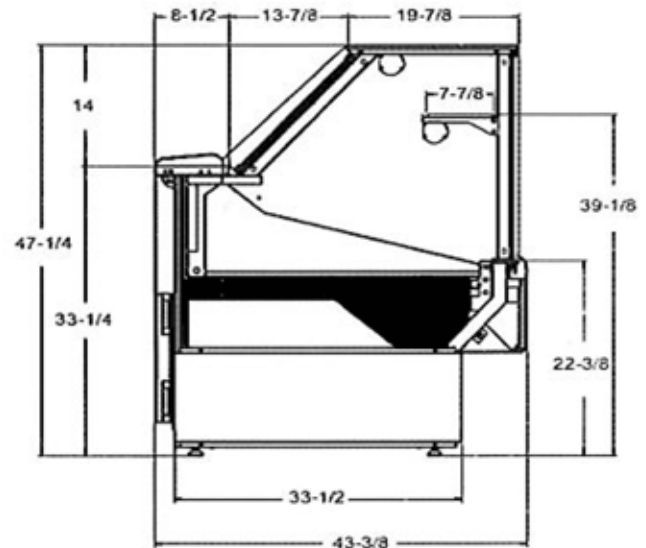
- Insulation-CFC free injected foam
- Interior-PVC coated steel gray
- Exterior-PVC coated steel silver
- Silver colored PVC coated steel front panel with black steel kick plate
- Foamed polystyrene black end panels
- Tempered tilt-forward front glass
- Removable rear tempered glass sliding doors
- Tempered glass inside shelf is NON-REFRIGERATED
- LED lighting in canopy
- Temperature and defrost regulated by a digital controller
- Removable condensate evaporative pan for easy cleaning on S/C only
- Slide out condensing unit on S/C only
- Anti-condensate system for front glass
- Digital thermometer
- Levelling feet

### OPTIONAL FEATURES

- Lift-up front glass
- Stainless steel interior
- Stainless steel exterior
- Other colors available
- White epoxy bi-level wire racks
- (2) or (3) level step sham
- Scale stand with receptacle
- Cutting board
- Knife support
- Condensate evaporative pan for remote cases
- Casters-add 4-3/8" to height
- Stainless steel legs are adjustable from 5-1/8" to 7-5/8"

### WARRANTY

One year parts and labor with an additional four years on the compressor (part only)



### NOTE

These cases are engineered to operate in locations not exceeding 75°F and 55% R.H. These cases are designed to operate using R404a refrigerant. Alternate refrigerants available by special order. O.A. length includes (2) ends at 1-1/2" each. Ventilation grills at front and back cannot be blocked. B.T.U.'s are calculated at 14°F (evaporator) and 90°F (ambient). Remote cases are provided with an expansion valve and a liquid solenoid for pump down cycle. On remote cases, if no floor drain is provided, a condensate evaporating pan must be ordered and 3.3 amps added to the amp load. Remote cases must be hard wired - no plugs.

USA Tel: 786.600.4687 / Toll Free: 844.218.8477  
Fax: 786.661.4100

Canada Tel: 514.737.9701 / Toll Free: 888.275.4538  
Fax: 514.342.3854 / Toll Free: 877.453.8832

sales@mvpgroupcorp.com / mvpgroupcorp.com