

MODELS

KFM-OF-(40, 50, 60, 80, 100, 120)-S

KFM-OF-(40, 50, 60, 80, 100, 120)-R

OPEN FRONT DELI CASE
DESIGNED FOR FRESH MEAT

Case holds 33°F to 40°F • Low velocity forced air refrigeration maintains high humidity • Tempered front & side glass • Cases can be multiplexed



SELF CONTAINED	Model	O.A. Length Inches	Volume FT ³	Electrical - 115 volts						NEMA 115V Plug	Weight LBS.		Crate Size		
				Compressor			Lights, Fans,	Evap Pan	Total Amps		No Crate	With Crate	W L H		
				H.P.	F.L.A.	L.R.A.							"L"	"W"	"H"
	KFM-OF-40-S	40-3/8	6.07	3/8	8.4	43	0.65	3.3	12.38	5-15P	285	445	48	44	42
	KFM-OF-50-S	52-1/8	8.00	1/2	9.6	49	0.65	3.3	13.58	5-15P	322	505	59	44	42
	KFM-OF-60-S	60	9.29	1/2	9.6	49	0.75	3.3	13.68	5-15P	365	564	67	44	42
	KFM-OF-80-S	77-1/2	12.15	5/8	8.9	47	1.20	3.3	13.43	5-15P	451	714	85	44	42
	KFM-OF-100-S	101-1/8	16.00	3/4	16	64	1.30	3.3	20.63	N/A	565	844	109	44	42
	KFM-OF-120-S	117	18.58	3/4	16	64	1.40	3.3	20.73	N/A	680	1053	124	44	42

REMOTE	Model	O.A. Length Inches	115 Volts Total Amps	B.T.U.	Weight LBS.	
					No Crate	With Crate
	KFM-OF-40-R	40-3/8	0.2	2548	229	390
	KFM-OF-50-R	52-1/8	0.2	3015	267	450
	KFM-OF-60-R	60	0.30	3159	311	509
	KFM-OF-80-R	77 1/2	0.30	4345	419	681
	KFM-OF-100-R	101-1/8	0.4	5112	511	789
	KFM-OF-120-R	117	0.5	5472	615	988

STANDARD FEATURES

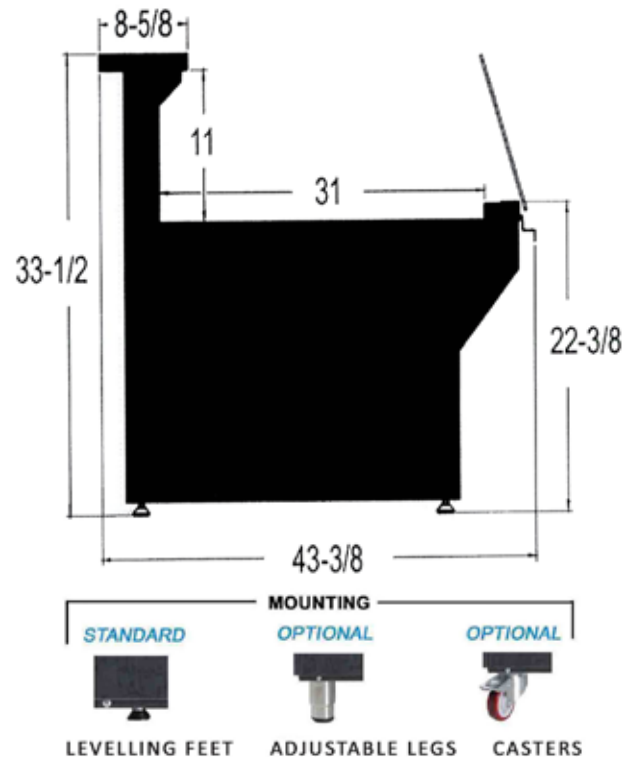
- Insulation-CFC free injected foam
- Stainless steel interior
- Silver colored PVC coated steel front panel with black steel kick plate
- Foamed polystyrene black end panels
- Temperature and defrost regulated by a digital controller
- Removable condensate evaporative pan for easy cleaning on S/C only
- Slide out condensing unit on S/C only
- Anti-condensate system for front glass
- Digital thermometer
- Levelling feet

OPTIONAL FEATURES

- Stainless steel exterior
- Other colors available
- Condensate evaporative pan for remote cases
- White epoxy bi-level wire racks
- Scale stand with receptacle
- Cutting board
- (2) or (3) level step sham
- Knife support
- Casters add 4-3/8" to height
- Stainless steel legs are adjustable from 5-1/8" to 7-5/8"

WARRANTY

One year parts and labor with an additional four years on the compressor (part only)



NOTE

These cases are designed to operate using R404a refrigerant. O.A. Length includes (2) ends at 1-1/2" each. Ventilation grills at front and back cannot be blocked. B.T.U.'s are calculated at 14°F (evap) and 90°F (ambient). These cases are engineered to operate in locations not exceeding 75°F and 55% R.H. On remote cases, if no floor drain is provided, a condensate evaporating pan must be ordered and 3.3 amps added to the amp load. Remote cases are provided with an expansion valve and a liquid solenoid for pump down cycle. Remote cases must be hard wired – no plugs.

USA Tel: 786.600.4687 / Toll Free: 844.218.8477
Fax: 786.661.4100

Canada Tel: 514.737.9701 / Toll Free: 888.275.4538
Fax: 514.342.3854 / Toll Free: 877.453.8832

sales@mvpgroupcorp.com / mvpgroupcorp.com