



AX-824RH

Full Size Convection Oven with Humidity Manual Controls - Reversing Fans - 4 shelves

COMES WITH
POWER CORD
NO PLUG
INCLUDED



		Features
Manual controls	Time, temperature, humidity	<ul style="list-style-type: none">• Advanced airflow design• Automatic high speed reversing fans• Manual control: 120 minute timer or continuous ON• Interior halogen light• Includes electro valve for direct water connection• Micro safety switch shuts oven off when door is open• Heavy duty stainless steel body construction• "Cold Door" design with double pane glass• Reinforced door hinges• Oven door can support weight limit of 80 lbs.• Oven cavity is insulated with ultra-high temperature fiberglass insulation• 4 Stainless steel wire shelves• Ovens can be stacked (kit required)• Warranty: 2 years parts & 1 year labor exclusive of lights, gaskets and glass
Load capacity	4 shelves for full size sheet pans	
High speed reversing fans	2 (3,200 rpm)	
Space between shelves	3.14" (80 mm)	
Power requirements	5,600 Watts / 208-240 V / 60 / 1 Oven supplied with power cord only no plug	
Temperature	86° - 540° F	
Equipped with	120 minute timer - Signal at end of cycle	
Cavity size (inches)	29.33"x19.29"x13.58" (WxDxH)	
Unit dimensions (inches)	33.5" x 30.2" x 25.9" (WxDxH)	
Shipping dimensions (inches)	35.44" x 31.10" x 29.53" (WxDxH)	
Net / Ship weight	126 lb / 154 lb	

OVEN STANDS & PROOFERS



AX-801 Oven Stand
SHIP WT: **54 lbs**

- HD stand with tray slides for full size sheet pans
- Dimensions: 33.47" x 24.40" x 31.50"
- Accommodates any "8" series ovens



AX-PR8
SHIP WT: **233 lbs**



- Capacity: 8 full size sheet pans
- Space between pans: 3"
- 208-240/60/1, 2000 Watts
- Heat setting up to 140°F
- Manual fill water supply in bottom tray

CONVECTION ACCESSORIES



DEFLECTOR
CODE: **124-DEF**

- 2 are required for the "8" series
- Air deflector plate for delicate baking

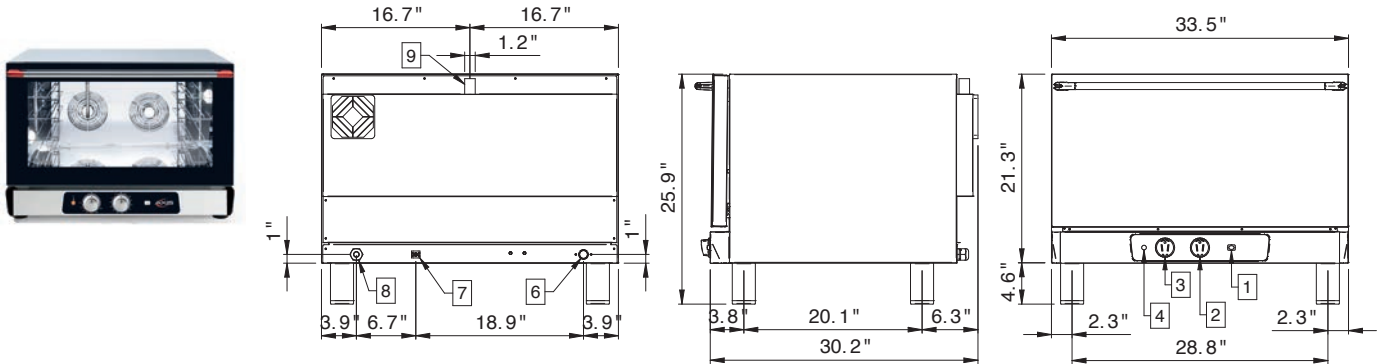


STACKING KIT "8" SERIES
CODE: **124-KIT8**

- Stacking kit for "8" Series

LINE DRAWINGS

AX-824RH



🇨🇦 514-737-9701 🇺🇸 786-600-4687

TOLL FREE: 888-275-4538

TOLL FREE: 844-218-8477

5659 ROYALMOUNT AVE, MONTREAL, QC, CANADA H4P2P9
12000 BISCAYNE BLVD, SUITE #108, MIAMI, FL, USA 33181

🌐 MVPGROUPCORP.COM ✉ SALES@MVPGROUPCORP.COM