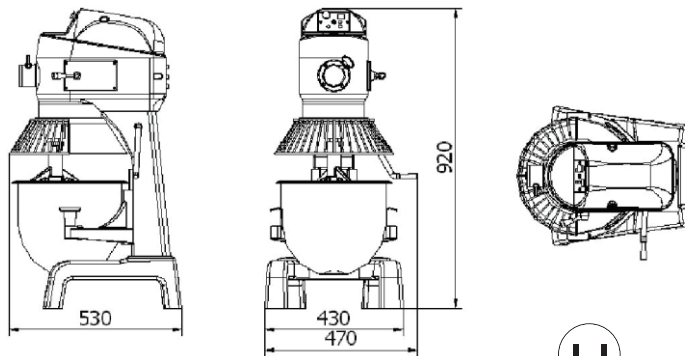


Model	Capacity	Motor	Amps	Speeds	Electrical
AX-M20	20 Quart	3 Speeds	10	129/239/437	110v / 60hz / 1ph

TECHNICAL DRAWING



DIMENSIONS

Overall Width = 16.9" (430mm)
 Overall Depth = 20.8" (530mm)
 Overall Height = 36.2" (920mm)

WEIGHT

NET = 220 lbs
 SHIPPING = 275 lbs

FREIGHT CLASS = 77.5



NEMA 5-15P

SPECIFICATIONS

★ Design

Heavy duty all purpose mixers use a powerful, planetary mixing action to thoroughly blend mix and aerate all ingredients with consistent results.

★ Stainless Steel Bowl Guard

Safety interlock prevents operation when front portion of guard is open.

★ Three Fixed speeds

Consistency, flexibility and reliability. Excellent for incorporating, blending and mixing ingredients. Provides consistent results throughout mixing.

★ Gear Transmission

Ensures consistent performance and minimum downtime under heavy loads. □

★ 0.75 H.P. Motor

Meets the most demanding operations.

★ Electronic Digital Timer

Provides accurate and consistent results while indicating the length of mixing (in minutes) on digital timer.

★ Warranty

2 year parts and 1 year labor, exclusive of wear items

Due to our continued product improvement and striving for engineering excellence, specifications are subject to change without notice

MVP GROUP CORPORATION

5659 Royalmount Ave. Montreal, QC Canada H4P 2P9
 Tel: 514-737-9701 888-275-4538 Fax: 514-342-3854
 www.mvpgroupcorp.com / sales@mvpgroupcorp.com

060DP □

