

MODELS

KFM-SF-(40, 50, 60, 80, 100, 120)-S

KFM-SF-(40, 50, 60, 80, 100, 120)-R

**FLAT GLASS SEAFOOD
DESIGNED FOR FRESH FISH**

CASE HOLDS 33°F TO 40°F • LOW VELOCITY FORCED AIR REFRIGERATION MAINTAINS HIGH HUMIDITY
TEMPERED SIDE GLASS AND REAR SLIDING DOORS • CASES CAN BE MULTIPLEXED
USED WITH OPTIONAL ICE PANS • CASES REQUIRE FLOOR DRAINS



Intertek



Intertek



AUTODESK®
REVIT®

SELF CONTAINED	Model	O.A. Length (inches)	Volume FT ³	Electrical 115 Volts				NEMA 115 V Plug	Weight lbs		Crate Size (inches)		
				Compressor		LIGHTS Fans HTRS	Total Amps		No Crate	With Crate	L"	W"	H"
				H.P	F.L.A								
	KFM-SF-40-S	40.4	15.35	3/8	8.4	0.95	9.35	5-15P	350	512	48	44	42
	KFM-SF-50-S	52.2	20.22	1/2	9.6	0.95	10.56	5-15P	399	582	59	44	42
	KFM-SF-60-S	60	23.47	1/2	9.6	1.08	10.66	5-15P	452	650	67	44	42
	KFM-SF-80-S	77.5	30.70	5/8	8.9	1.68	10.58	5-15P	562	825	85	44	42
	KFM-SF-100-S	101.2	40.45	2x1/2	2x9.6	2x0.96	2x10.6	2x5-15P	697	974	109	44	42
	KFM-SF-120-S	117	46.95	2x1/2	2x9.6	2x1.08	2x10.7	2x5-15P	831	1204	124	44	42

OPTIONAL ICE / FISH PANS	Kit No	For Model
	KT025A	KFM-SC/SF/SO-40-S/R
	KT025B	KFM-SC/SF/SO-50-S/R
	KT025C	KFM-SC/SF/SO-60-S/R
	KT025D	KFM-SC/SF/SO-80-S/R
	KT025E	KFM-SC/SF/SO-100-S/R
	KT025F	KFM-SC/SF/SO-120-S/R

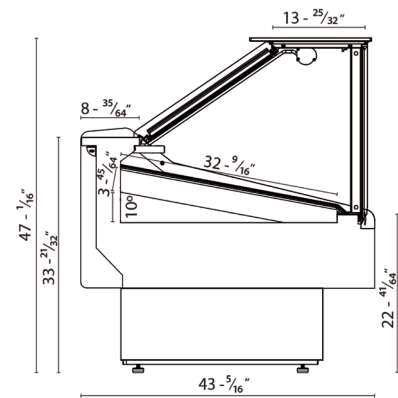
REMOTE	Model	O.A. Length (inches)	115 Volts Total Amps	B.T.U	Weight lbs	
					No Crate	With Crate
					KFM-SF-40-R	40.4
KFM-SF-50-R	52.2	0.51	3015	344	526	
KFM-SF-60-R	60	0.63	3159	397	595	
KFM-SF-80-R	77.5	0.78	4345	529	791	
KFM-SF-100-R	101.2	0.91	5112	642	919	
KFM-SF-120-R	117	1.16	5472	765	1138	

STANDARD FEATURES

- Coated evaporator coil
- Stainless steel frame
- Stainless steel interior
- Stainless steel rear work bench
- CFC free injected foam insulation
- Silver colored PVC coated steel front panel
- Stainless steel rear work bench
- Black steel kick plate
- Foamed polystyrene black end panels
- Tempered tilt forward front glass
- Removable rear tempered glass sliding door
- LED lighting in canopy
- Temperature and defrost regulated by a digital controller
- Slide out condensing unit on self-contained units
- Digital thermometer
- Levelling feet

OPTIONAL FEATURES

- Ice / fish pan kit. See table above
- Stainless steel exterior
- Cutting board
- Knife Support
- Other colors available
- Joining Kit
- Partition
- Scale stand with receptacle
- Casters add 4-3/8" to height
- Stainless steel legs are adjustable from 5-1/8" to 7-5/8"



Standard Mounting



Levelling Feet

Optional Mounting



Adjustable Legs



Casters

NOTE

These cases are engineered to operate in locations not exceeding 75°F and 55% R.H. These cases are designed to operate using R404a refrigerant. Alternate refrigerants available by special order. O.A. length includes (2) ends at 1-1/2" each. Ventilation grills at front and back cannot be blocked. B.T.U's are calculated at 14°F (evaporator) and 90°F (ambient). Remote cases are provided with an expansion valve and a liquid solenoid for pump down cycle. Remote cases must be hard wired – no plugs.

WARRANTY

One year parts and labor with an additional four years on the compressor (part only)



Hydra - Kool is a registered trademark of MVP Group Corp.
SPECIFICATIONS SUBJECT TO CHANGE WITHOUT NOTICE