

MODELS

KFM-SO-(40, 50, 60, 80, 100, 120)-S

KFM-SO-(40, 50, 60, 80, 100, 120)-R

**OPEN FRONT SEAFOOD CASE
DESIGNED FOR FRESH FISH**

CASE HOLDS 33°F TO 40°F • LOW VELOCITY FORCED AIR REFRIGERATION MAINTAIN HIGH HUMIDITY
TEMPERED FRONT AND SIDE GLASS • CASES CAN BE MULTIPLEXED
CAN BE USED WITH OPTIONAL ICE PANS • CASES REQUIRE FLOOR DRAINS



Intertek



Intertek



AUTODESK[®]
REVIT[®]

SELF CONTAINED	Model	O.A. Length (inches)	Volume FT ³	Electrical 115 Volts				NEMA 115 V Plug	Weight lbs		Crate Size (inches)		
				Front	Compressor		LIGHTS Fans		Total Amps	No Crate	With Crate	L"	W"
			H.P		F.L.A								
			KFM-SO-40-S	40-3/8	6.07	3/8	8.4	0.65	9.05	5-15P	284	445	48
KFM-SO-50-S	52-1/8	8.00	1/2	9.6	0.65	10.25	5-15P	322	505	59	44	42	
KFM-SO-60-S	60	9.29	1/2	9.6	0.75	10.35	5-15P	366	564	67	44	42	
KFM-SO-80-S	77-1/2	12.15	5/8	8.9	1.20	10.10	5-15P	452	714	85	44	42	
KFM-SO-100-S	101-1/8	16.00	2x1/2	2x9.6	2x0.96	2x10.6	2x5-15P	567	844	109	44	42	
KFM-SO-120-S	117	18.58	2x1/2	2x9.6	2x0.96	2x10.7	2x5-15P	681	1053	124	44	42	

OPTIONAL ICE / FISH PANS	Kit No	For Model
	KT025A	KFM-SC/SF/SO-40-S/R
	KT025B	KFM-SC/SF/SO-50-S/R
	KT025C	KFM-SC/SF/SO-60-S/R
	KT025D	KFM-SC/SF/SO-80-S/R
	KT025E	KFM-SC/SF/SO-100-S/R
	KT025F	KFM-SC/SF/SO-120-S/R

REMOTE	Model	O.A. Length (inches)	115 Volts Total Amps	B.T.U	Weight lbs	
					No Crate	With Crate
	KFM-SO-40-R	40-3/8	0.2	2548	229	390
	KFM-SO-50-R	52-1/8	0.2	3015	267	450
	KFM-SO-60-R	60	0.3	3159	311	509
	KFM-SO-80-R	77-1/2	0.3	4345	419	681
	KFM-SO-100-R	101-1/8	0.4	5112	511	789
	KFM-SO-120-R	117	0.5	5472	615	988

STANDARD FEATURES


- Coated evaporator coil
- Stainless steel frame
- Stainless steel interior
- Stainless steel rear work bench
- Silver colored PVC coated steel front panel
- CFC free injected foam insulation
- Black steel kick plate
- Foamed polystyrene black end panels
- Temperature and defrost regulated by a digital controller
- Slide out condensing unit on self-contained units
- Digital thermometer
- Levelling feet


OPTIONAL FEATURES

- Ice/fish pan kit. See table above
- Stainless steel exterior
- Other colors available
- Joining Kit
- Partition
- Scale stand with receptacle
- Cutting board
- Knife Support
- Casters add 4-3/8" to height
- Stainless steel legs are adjustable from 5-1/8" to 7-5/8"

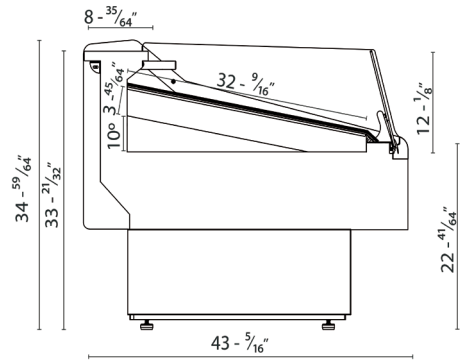
WARRANTY

One year parts and labor with an additional four years on the compressor (part only)

 Tel: 786.600.4687 / Toll Free: 844.218.8477
Fax: 786.661.4100

 Tel: 514.737.9701 / Toll Free: 888.275.4538
Fax: 514.342.3854 / toll free: 877.453.8832

06/2017 sales@mvpgroupcorp.com / mvpgroupcorp.com



Standard Mounting



Levelling Feet

Optional Mounting



Adjustable Legs



Casters

NOTE

These cases are engineered to operate in locations not exceeding 75°F and 55% R.H. These cases are designed to operate using R404a refrigerant. Alternate refrigerants available by special order. O.A. length includes (2) ends at 1-1/2" each. Ventilation grills at front and back cannot be blocked. B.T.U's are calculated at 14°F (evaporator) and 90°F (ambient). Remote cases are provided with an expansion valve and a liquid solenoid for pump down cycle. Remote cases must be hard wired – no plugs.



Hydra - Kool is a registered trademark of MVP Group Corp.
SPECIFICATIONS SUBJECT TO CHANGE WITHOUT NOTICE