

MODELS

KFM-SC-(40, 50, 60, 80, 100, 120)-S

KFM-SC-(40, 50, 60, 80, 100, 120)-R

**CURVED GLASS SEAFOOD CASE
DESIGNED FOR FRESH FISH**

CASE HOLDS 33°F TO 40°F • LOW VELOCITY FORCED AIR REFRIGERATION MAINTAINS HIGH HUMIDITY
TEMPERED SIDE GLASS AND REAR SLIDING DOORS • CASES CAN BE MULTIPLEXED
ICE PANS INCLUDED • CASES REQUIRE FLOOR DRAINS*



Intertek



Intertek



AUTODESK®
REVIT®

SELF CONTAINED	Model	O.A. Length (inches)	Volume FT ³	Electrical 115 Volts				NEMA 115 V Plug	Weight lbs		Crate Size (inches)			
				Front	Compressor		LIGHTS Fans HTRS		Total Amps	No Crate	With Crate	L"	W"	H"
					H.P.	F.L.A.								
	KFM-SC-40-S	40.4	12.35	3/8	8.4	0.95	9.35	5-15P	333	494	48	44	42	
	KFM-SC-50-S	52.2	16.27	1/2	9.6	0.96	10.56	5-15P	377	560	59	44	42	
	KFM-SC-60-S	60	18.88	1/2	9.6	1.08	10.66	5-15P	427	626	67	44	42	
	KFM-SC-80-S	77.5	24.70	5/8	8.9	1.68	10.58	5-15P	531	794	85	44	42	
	KFM-SC-100-S*	101.4	32.54	2x1/2	2x9.6	2x0.96	2x10.6	2x5-15P	658	937	109	44	42	
	KFM-SC-120-S*	117	37.76	2x1/2	2x9.6	2x1.08	2x10.7	2x5-15P	785	1160	124	44	42	

* Please note:

KFM-SC-100-S, KFM-SC-120-S,
KFM-SC-100-R, KFM-SC-120-R

Units require two power outlets and two drains
Units are multiplexed and joined together
in the center – 100" and 120"

STANDARD FEATURES

- Coated evaporator coil
- Ice fish pans included
- Stainless steel frame
- Stainless steel interior
- Stainless steel rear work bench
- Silver colored PVC coated steel front panel
- CFC free injected foam insulation
- Black steel kick plate
- Foamed polystyrene black end panels
- Tempered tilt forward front glass
- Removable rear tempered glass sliding door
- LED lighting in canopy
- Temperature and defrost regulated by a digital controller
- Slide out condensing unit on self-contained units
- Anti condensing system for front glass
- Digital thermometer
- Levelling feet

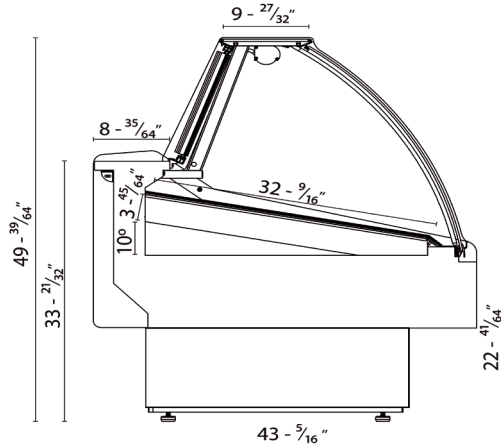
OPTIONAL FEATURES

- Stainless steel exterior
- Other colors available
- Joining Kit
- Partition
- Scale stand with receptable
- Cutting Board
- Knife Support
- Casters add 4-3/8" to height
- Stainless steel legs are adjustable from 5-1/8" to 7-5/8"

WARRANTY

One year parts and labor with an additional four years on the compressor (part only)

REMOTE	Model	O.A. Length (inches)	115 Volts Total Amps	B.T.U	Weight lbs	
					No Crate	With Crate
	KFM-SC-40-R	40.4	0.5	2548	278	439
	KFM-SC-50-R	52.2	0.51	3015	322	505
	KFM-SC-60-R	60	0.63	3159	373	571
	KFM-SC-80-R	77.5	0.78	4345	498	761
	KFM-SC-100-R*	101.2	0.91	5112	604	882
	KFM-SC-120-R*	117	1.16	5472	721	1093



Standard Mounting

Optional Mounting



Levelling Feet



Adjustable Legs



Casters

NOTE

These cases are engineered to operate in locations not exceeding 75°F and 55% R.H. These cases are designed to operate using R404a refrigerant. Alternate refrigerants available by special order. O.A. length includes (2) ends at 1-7/8" each. Ventilation grills at front and back cannot be blocked. B.T.U's are calculated at 14°F (evaporator) and 90°F (ambient). Remote cases are provided with an expansion valve and a liquid solenoid for pump down cycle, Remote cases must be hard wired-no plugs.



Hydra - Kool is a registered trademark of MVP Group Corp.
SPECIFICATIONS SUBJECT TO CHANGE WITHOUT NOTICE