

Motor Thermo-protection to avoid motor burning

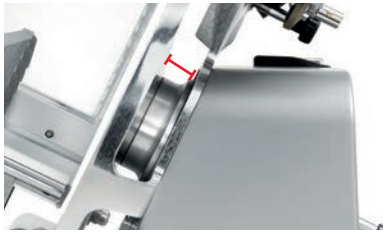
- x Microswitch protection on cover blade; blade will stop when microswitch loses its contact to avoid any injury

Built-in top mounted sharpener

x ' — „ Ž † f ... - < ' • • Š f " ' † • • < • Œ — • - • † ... ' • † • - ' ' „ - f < • ' † " ^ †

x † • ' ~ f „ Ž † ^ " † f • > ... Ž † f • < • %o f • † • f • < - f - < ' •

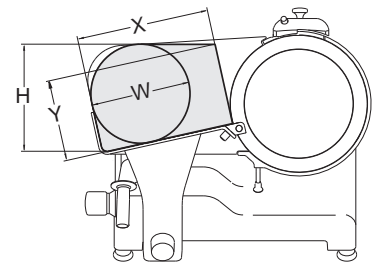
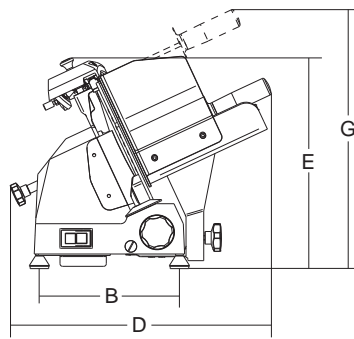
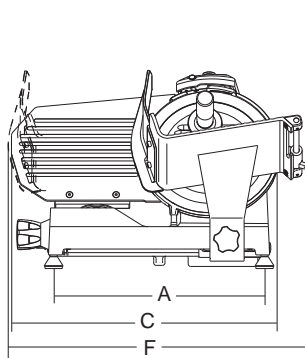
f " " fã • U > > † f " ' f " - • f • † Ž f „ ' " ™ f " " f



Wide gap between blade and body



Easy and fast breakdown for cleaning



	Ø Blade	Motor	Cut thickness	Blade rpm	Carriage stroke	Hopper	A	B	C	D	E	F	G	X	Y	H	W	Net weight	Shipping	Gross weight
	mm/inch	watt/Hp	inch.	rpm	inch.	inch.	inch.	inch.	inch.	inch.	inch.	inch.	inch.	inch.	inch.	inch.	inch.	lbs.	inch.	lbs.
\$68/75\$	300/12"	185-0.25	1/2"	335	9 5/8"	9 1/16" x 9 1/16"	15 9/16"	9 5/8"	19 11/16"	22 1/16"	14 9/16"	22 7/16"	18 11/16"	8 7/16"	5 11/16"	8 7/8"	7 1/2"	35	23 5/8" x 19 11/16" x 16 9/16"	40



3560 NW 56th Street
 Fort Lauderdale, FL, United States
 Telephone: 786.600.4687 / Toll Free: 844.218.8477
 Fax: 786.661.4100

5659 Royalmount Ave.
 Montreal, QC, Canada H4P 2P9
 Telephone: 514.737.9701 / Toll Free: 888.275.4538
 Fax: 514.342.3854 / Toll Free: 877.453.8832
sales@mvpgroupcorp.com / mvpgroupcorp.com