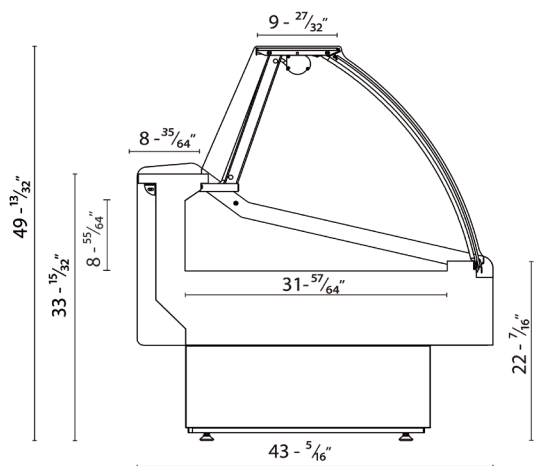


SELF CONTAINED	Model	O.A. Length (inches)	Volume FT ³	Electrical 115 Volts					NEMA 115V Plug	Weight lbs		Crate Size (inches)			
				Front	Compressor		LIGHTS Fans HTRS	EVAP PAN		Total Amps	No Crate	With Crate	L"	W"	H"
					H.P	F.L.A									
	, ' . \$ (4								1						
	, ' . \$ (4								1						
	, ' . \$ (4								1						
	, ' . \$ (4								1						
	, ' . \$ (4								/ "						
	, ' . \$ (4								/ "						

REMOTE	Model	O.A. Length (inches)	115 Volts Total Amps	B.T.U	Weight lbs	
					No Crate	With Crate
						, ' . \$ (3
	, ' . \$ (3					
	, ' . \$ (3					
	, ' . \$ (3					
	, ' . \$ (3					
	, ' . \$ (3					



STANDARD FEATURES

\$' \$ GSFF JOKFDUFE GPBN JOTVMBUJPO
 4UBJOMFTT TUFFM JOUFSJPS
 4UBJOMFTT TUFFM SFBS XPSL CFODI
 4JMWFS DPMPSE 17\$ DPBUFE TUFFM GSPO
 #MBDL TUFFM LJDL QMBUF
 'PBNFE QPMZTUZSFOF CMBDL FOE QBOFMT
 5FNQFSFE UJMU GPXBSE GSPOU HMBTT
 3FNPWBCMF SFBS UFNQFSFE HMBTT TMJEJOH EPPST
 - & % MJHIUJOH JO DBOPQZ
 5FNQFSBUVSF BOE EFGSPTU SFHVMBUFE CZ B I
 DPOEFOTBUF FWBQPSBUJOHT QBO GPSUFBTQZFBM
 4MJEF PVU DPOEFOTJOH VOJU PO TFMG DPOUB
 %JHJUBM UIFSNPNFUF
 -FWFMJOH GFFU

OPTIONAL FEATURES

4UBJOMFTT TUFFM FYUFSJPS
 -JGU VQ GSPOU HMBTT
 0UIFS DPMPST BWBJMBCMF
 +PJOJOH ,JU BOE PS 1BSUJUJPO
 \$POEFOTBUF FWBQPSBUJOH QBO GPS SFNSPWFDBTFT
 8IJUF FQPYZ CJ MFWFM XJSF SBDLT
 4DBMF TUBOE XJUI SFDFQUBDMF
 \$VUUJOH CPBSE BOE ,OJGF 4VQQPSU
 \$BTUFST BUE IFJHWU
 4UBJOMFTT TUFFM MFHT BUE BEKVTUBCMF GSFN

4UBOEBSE .PVOUJONQUJPOBM .PVOUJOH
 IPWB
 -FWFMMJOH 'FEKVTUBCMF \$BTUFST

NOTE

5IFTF DBTFT BSF FOHJOFFSFE UP PQFSB
 FYDFFEJOH i' BOE 3) 5IFTF DBTFT BS
 VTJOH 3 B SFGSJHFSBOU "MUFSOBUF SFG
 PSEFS 0 " MFOHUI JODMVEFT FOET BU
 BU GSPOU BOE CBDL DBOOPU CF CMPDLFE
 FWBQPSBUPS BOE i' BNCJFOU 3F
 BO FYQBOTJPO WBMWF BOE B
 BZDMWF WBMWF SFPNPS DPN
 JG OP GMPPS ES
 FWBQPSBUJOH QBO NVTU CF PSEFSFE BOE
 3FNPUF DBTFT NVTU CF IBSE XJSFE o OP QMVH

WARRANTY

OP ZERS QBSUT BOE MBCPS XJUI BO
 UIF DPNQSFTTTPS QBSU POMZ



/8 UI 4U
 'PSU -BVEFSEBMF '- 64"
 5FM 5PMM 'SFF 'BY



3PZBMNPVOU "WF
 .POUSFBM 2\$ \$BOBEB) 1 1
 5FM 5PMM 'SFF 'BY
 5PMM GSFF
 TBMFT!NWQHSPVQDPSQ DPN NWQHSPVQDPSQ DPN



)ZESB ,PPM JT B SFHJTUFSFE US
 41&\$*'*\$"5*0/4 46#+&\$5 50 \$)"/(& 8